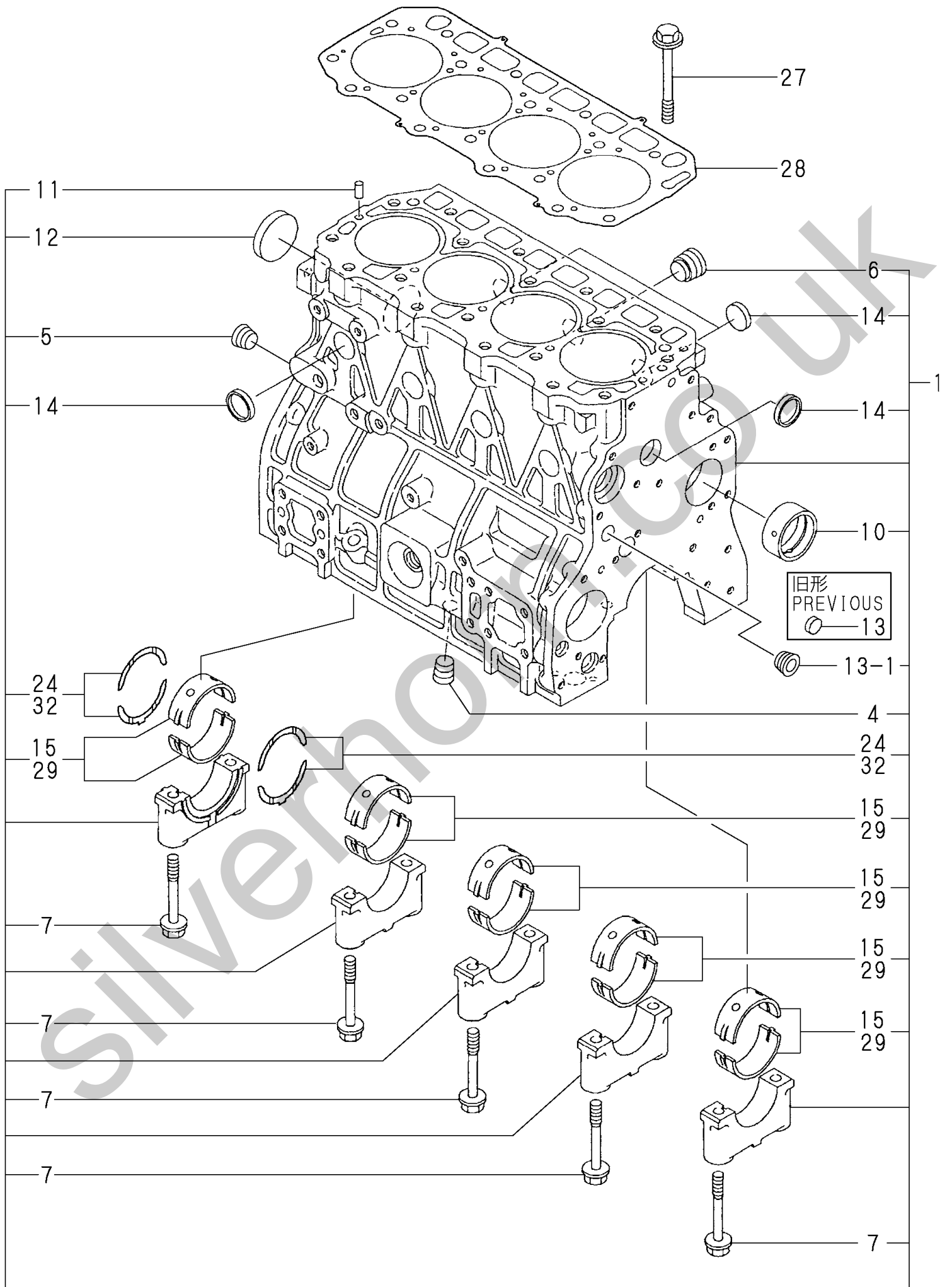


[Info]
PcNo=Y00B5473
PcName=4TNE98-(E)BV
JpnUse=1
JpnSec1=fGf`fWf`
JpnSec2=-§ -
JpnSec3=TNE
JpnPreface=0
EngUse=1
EngSec1=ENGINE
EngSec2=SMALL VERTICAL (ViO)
EngSec3=TNE
EngPreface=0

Silverhorn.CO.UK

1,1,,729902-01560,, "BLOCK ASSY, CYLINDER",1,1,,,,,,,,,,,,,
4,3,,23871-030000,, "PLUG PT3/8,SCREW",1,1,,,,,,,,,,,,,
4-1,3,,23876-030000,, "PLUG PT3/8,SCREW",1,1,,,,,N,,GZ-99001,E/#06107,GZ-
99001,E/#06383,,,,,,,,,
5,3,,23871-030000,, "PLUG PT3/8,SCREW",1,1,,,,,,,,,,,,,
5-1,3,,23876-030000,, "PLUG PT3/8,SCREW",1,1,,,,,N,,GZ-99001,E/#06107,GZ-
99001,E/#06383,,,,,,,,,
6,3,,171051-01921,, PLUG,1,1,,,,,,,,,,,,,
7,3,,129900-02020,, "BOLT, METAL CAP",10,10,,,,,,,,,,,,,
10,3,,129900-02410,, "BUSH, CAMSHAFT",1,1,,,,,,,,,,,,,
11,3,,22351-060012,, "SPRING PIN 6X12",2,2,,,,,,,,,,,,,
12,3,,27231-550000,, "PLUG 55",1,1,,,,,,,,,,,,,
12-1,3,,129900-01250,, "PLUG 55",1,1,,,,,N,,TN-99126,E/#06476,TN-
99126,E/#07993,,,,,,,,,I
13,3,,27241-160000,, "PLUG 16",1,,,,,,,,,,,,,
13-1,3,,23871-030000,, "PLUG PT3/8,SCREW",1,1,,,,,S,,TE-96135,"FROM 1ST",,,,,,
13-2,3,,23876-030000,, "PLUG PT3/8,SCREW",1,1,,,,,N,,GZ-99001,E/#06107,GZ-
99001,E/#06383,,,,,,,,,
14,3,,27241-300000,, "PLUG 30",8,8,,,,,,,,,,,,,
15,2,,129900-02800,, "BEARING ASSY, MAIN",5,5,,,,,,,,,,,,,
24,2,,129900-02930,, "BEARING ASSY, THRUST",2,2,,,,,,,,,,,,,
27,1,,129900-01200,, "BOLT, HEAD",18,18,,,,,,,,,,,,,
28,1,,129902-01330,, "GASKET,CYL.HEAD",1,1,,,,,,,,,,,,,
28-1,1,,129902-01331,, "GASKET, HEAD",1,1,,,,,N,,TE-99509,E/#06107,TE-
99509,E/#06383,,,,,,,,,
29,1,,129900-02340,, "MAIN BEARING US=0.25",5,5,,,,,1,,,,,,,,,
32,1,,129900-02940,, "BEARING,THRUST .25OS",2,2,,,,,2,,,,,,,,,

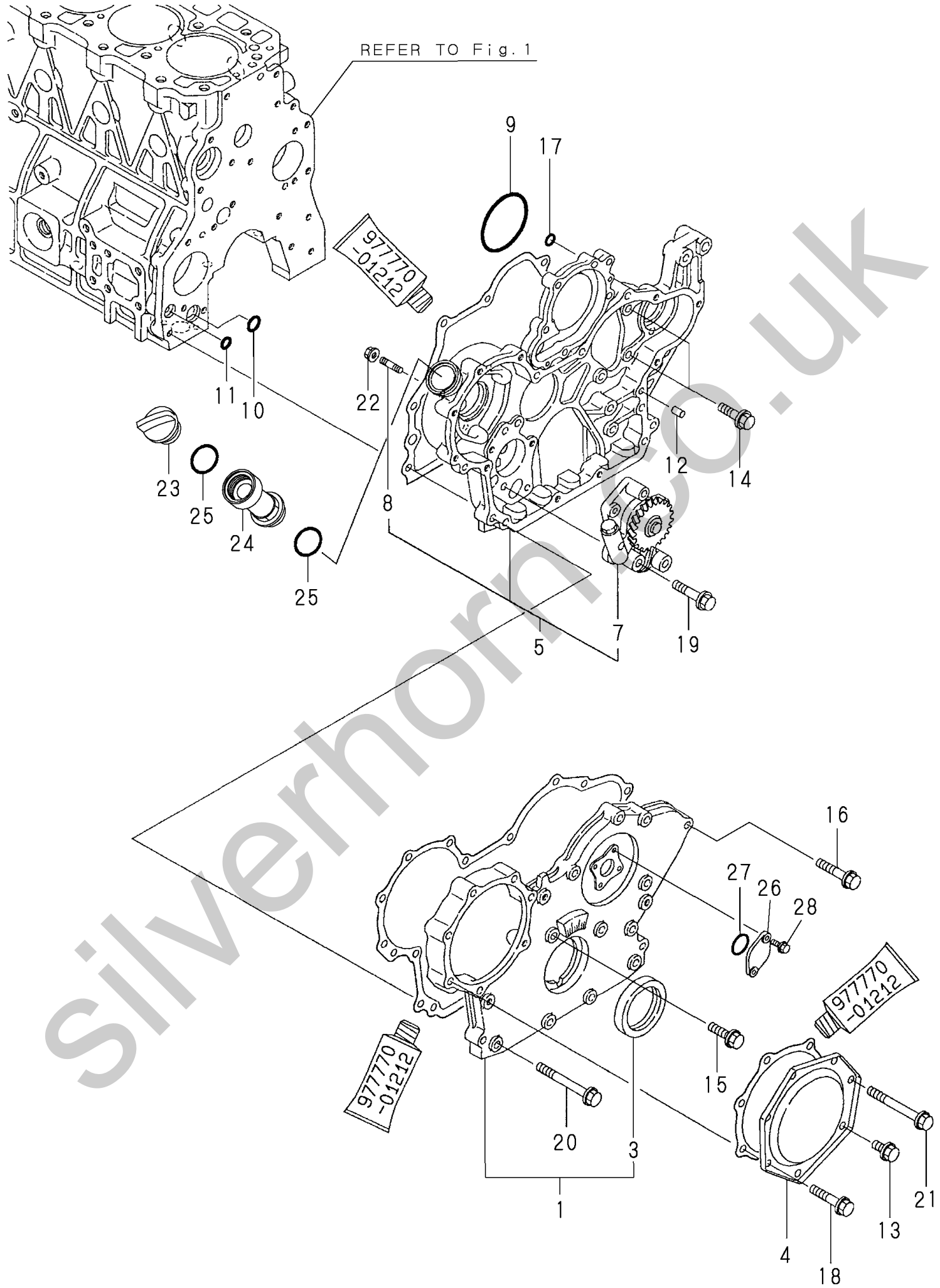




1,1,,729900-01570,, "COVER, GEAR HOUSING",1,1,,,,,,,,,,,,,
 3,2,,129900-01780,, "SEAL, OIL",1,1,,,,,,,,,,,,,
 4,1,,129900-01740,, "COVER, F.I. PUMP",1,,,,,,,,,,,,,
 4-1,1,,129951-01740,, "COVER, F.I. PUMP",1,1,,,,,N,,TE-97171,E/#01834,,,,,
 5,1,,129900-01820,, "HOUSING COMP, GEAR",1,1,,,,,,,,,,,,,
 7,2,,129900-32000,, "PUMP ASSY, LUB. OIL",1,1,,,,,,,,,,,,,
 8,2,,26216-100302,, "STUD BOLT",4,4,,,,,,,,,,,,,
 9,1,,24321-000850,, "O-RING 1A G-85.0",1,,,,,,,,,,,,,
 10,1,,129900-32030,, "O-RING P20",1,1,,,,,,,,,,,,,
 11,1,,129900-32040,, "O-RING P14",1,1,,,,,,,,,,,,,
 12,1,,129100-01580,, "PARALLEL PIN 8X16",4,4,,,,,,,,,,,,,
 13,1,,26106-080162,, "BOLT M 8X 16 PLATED",1,1,,,,,,,,,,,,,
 14,1,,26106-080202,, "BOLT M 8X 20 PLATED",3,3,,,,,,,,,,,,,
 15,1,,26106-080302,, "BOLT M 8X 30 PLATED",1,1,,,,,,,,,,,,,
 16,1,,26106-080402,, "BOLT M 8X 40 PLATED",5,5,,,,,,,,,,,,,
 17,1,,24311-000070,, "O-RING 1A P-7.0",1,1,,,,,,,,,,,,,
 18,1,,26106-080402,, "BOLT M 8X 40 PLATED",5,5,,,,,,,,,,,,,
 19,1,,26106-080452,, "BOLT M 8X 45 PLATED",3,3,,,,,,,,,,,,,
 20,1,,26106-080702,, "BOLT M 8X 70 PLATED",6,,,,,,,,,,,,,
 20-1,1,,129001-91810,, "BOLT M 8X 70 PLATED",6,6,,,,,R,,TE-
 97594,E/#02670,,,,,
 21,1,,26106-080702,, "BOLT M 8X 70 PLATED",1,,,,,,,,,,,,,
 21-1,1,,129001-91810,, "BOLT M 8X 70 PLATED",1,1,,,,,R,,TE-
 97594,E/#02670,,,,,
 22,1,,26366-100002,, "NUT M10",4,4,,,,,,,,,,,,,
 22-1,1,,26306-100002,, "NUT",4,4,,,,,R,,JH-01017,E/#06476,JH-
 01017,E/#14177,,,,,I
 23,1,,124160-01751,, "COVER,FILLER",1,1,,,,,,,,,,,,,
 24,1,,171031-11741,, "PIPE",1,1,,,,,,,,,,,,,
 25,1,,24311-000320,, "O-RING 1A P-32.0",2,2,,,,,,,,,,,,,
 26,1,,121023-01550,, "COVER, BLIND",1,1,,,,,,,,,,,,,
 27,1,,24341-000240,, "O-RING 1A S-24.0",1,1,,,,,,,,,,,,,
 28,1,,26106-060162,, "BOLT M 6X 16 PLATED",2,2,,,,,,,,,,,,,

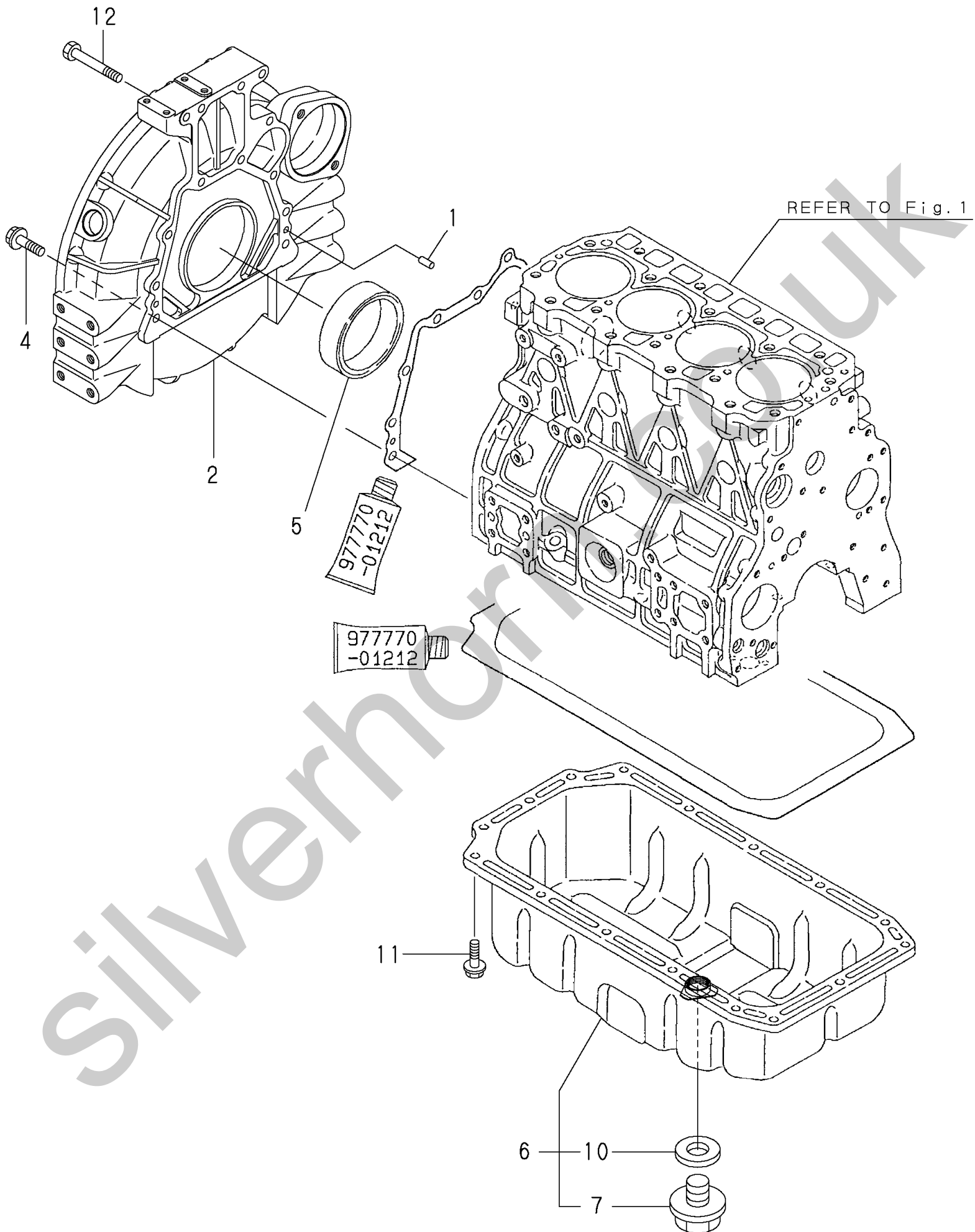


REFER TO Fig. 1



1,1,,129100-01580,, "PARALLEL PIN 8X16",2,2,,,,,,,,,,,,,
2,1,,129953-01620,, "HOUSING, FLYWHEEL",1,1,,,,,,,,,,,,,
4,1,,26106-100352,, "BOLT M10X 35 PLATED",9,9,,,,,,,,,,,,,
4-1,1,,26206-100352,, "BOLT M10X 35 PLATED",9,9,,,,,R,,TL-00374,E/#06476,TL-
00374,E/#12501,,,,,,,,,I
5,1,,124411-01780,, "SEAL HTC95,115,12",1,1,,,,,,,,,,,,,
6,1,,129953-01710,, "SUMP ASSY, OIL",1,1,,,,,,,,,,,,,
7,2,,119640-01640,, "DRAIN PLUG M22",1,1,,,,,,,,,,,,,
10,2,,22190-220002,, "SEAL WASHER 22S",1,1,,,,,,,,,,,,,
11,1,,26106-080122,, "BOLT M 8X 12 PLATED",21,21,,,,,,,,,,,,,
11-1,1,,26106-080122,, "BOLT M 8X 12 PLATED",16,16,,,,,K,,TL-02178,E/#06476,TL-
02178,E/#18802,,,,,,,,,I
12,1,,26206-100702,, "BOLT M10X 70 PLATED",4,4,,,,,,,,,,,,,

Silverhorn.CO.UK

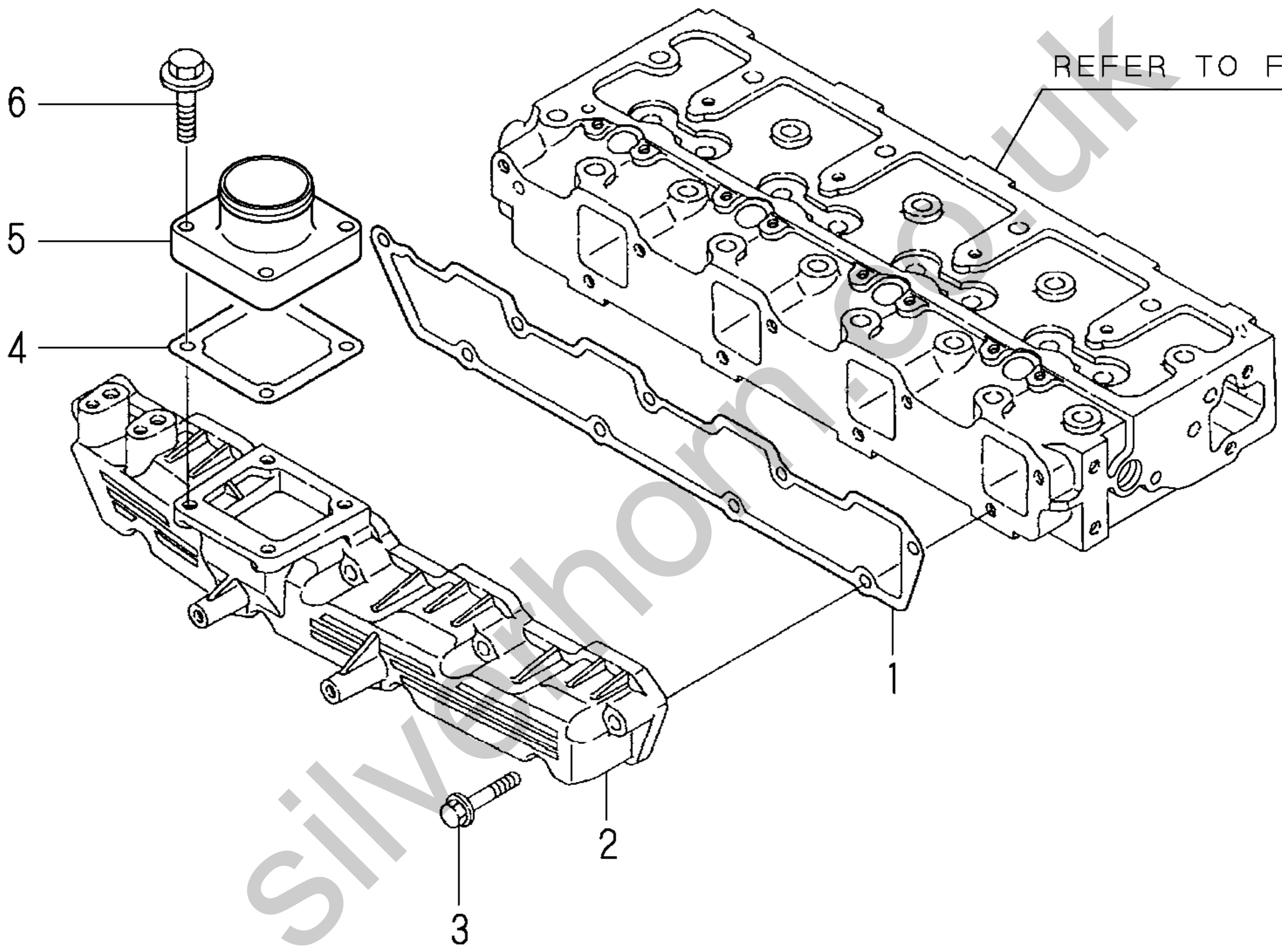


1,1,,23065-160800,,PIPE,1,,,,,,,,,,,,,
1-1,1,,129953-03100,,,"HOSE, BREATHER",1,1,,,,,N,,TE-97156,E/#01834,,,,,
2,1,,129910-03100,,RETAINER,1,1,,,,,,,,,,,,,
3,1,,26106-080122,,,"BOLT M 8X 12 PLATED",1,1,,,,,,,,,,,,,
4,1,,129900-07900,,,"LIFTER, ENGINE",1,,,,,,,,,,,,,
4-1,1,,129910-07900,,,"LIFTER, ENGINE",1,1,,,,,N,,TE-97424,E/#02576,,,,,
5,1,,129953-07910,,,"LIFTER, ENGINE",1,1,,,,,,,,,,,,,
6,1,,729900-11100,,,"HEAD ASSY, CYLINDER",1,1,,,,,,,,,,,,,
9,3,,27241-400000,,,"PLUG 40",1,1,,,,,,,,,,,,,
9A,3,,23876-030000,,,"PLUG PT3/8,SCREW",1,1,,,,,W,,TN-99427,E/#06476,TN-
99427,E/#09035,,,,,I
11,3,,23871-005000,,,"PLUG PT 1/16",1,1,,,,,,,,,,,,,
12,2,,129900-11100,,,"VALVE, SUCTION",4,4,,,,,,,,,,,,,
13,2,,27310-080001,,,"COTTER 8",8,8,,,,,,,,,,,,,
14,2,,129900-11110,,,"VALVE, EXHAUST",4,4,,,,,,,,,,,,,
15,2,,129900-11120,,,"SPRING, VALVE",8,8,,,,,,,,,,,,,
16,2,,129795-11180,,,"RETAINER, SPRING",8,8,,,,,,,,,,,,,
17,2,,121400-11340,,,"SEAL, VALVE STEM",4,4,,,,,,,,,,,,,
18,2,,124460-11340,,,"SEAL, VALVE STEM",4,4,,,,,,,,,,,,,
19,2,,129150-11370,,,"CAP, VALVE",8,8,,,,,,,,,,,,,
20,2,,119625-11870,,,"PROTECTOR, NOZZLE",4,4,,,,,,,,,,,,,
21,2,,119625-11880,,,"SEAT, NOZZLE",4,4,,,,,,,,,,,,,
22,2,,119625-11900,,RETAINER,4,4,,,,,,,,,,,,,
23,2,,26216-060202,,,"STUD M 6X 20 PLATED",8,8,,,,,,,,,,,,,
24,2,,26366-060002,,,"NUT M 6",8,8,,,,,,,,,,,,,
25,1,,129150-11810,,,"GUIDE, VALVE",8,8,,,,,1,,,,,
26,1,,129900-11200,,,"SUPPORT ASY,ROCK.ARM",1,1,,,,,,,,,,,,,
27,2,,129900-11240,,,"SHAFT ASSY,ROCK. ARM",1,1,,,,,,,,,,,,,
30,2,,129900-11280,,,"SPRING",3,3,,,,,,,,,,,,,
31,2,,129900-11510,,,"SUPPORT",3,3,,,,,,,,,,,,,
32,2,,129900-11520,,,"SUPPORT",1,1,,,,,,,,,,,,,
33,2,,129900-11650,,,"ARM KIT, SUC. ROCKER",4,4,,,,,,,,,,,,,
34,3,,129150-11230,,,"SCREW, VALVE",4,4,,,,,,,,,,,,,
36,3,,129150-11750,,,"NUT M8XP1.0",4,4,,,,,,,,,,,,,
37,2,,129900-11660,,,"ARM KIT, EXH. ROCKER",4,4,,,,,,,,,,,,,
38,3,,129150-11230,,,"SCREW, VALVE",4,4,,,,,,,,,,,,,
40,3,,129150-11750,,,"NUT M8XP1.0",4,4,,,,,,,,,,,,,
41,2,,22242-000180,,,"CIRCLIP 18",2,2,,,,,,,,,,,,,
42,2,,26577-040122,,,"SCREW M 4 X 12",1,,,,,,,,,,,,,
42-1,2,,26577-040162,,,"SCREW M 4X 16",1,1,,,,,R,,TE-97451,E/#02783,,,,,
43,1,,129900-11530,,,"STUD BOLT",3,3,,,,,,,,,,,,,
44,1,,26366-100002,,,"NUT M10",3,3,,,,,,,,,,,,,
44-1,1,,26306-100002,,,"NUT",3,3,,,,,R,,JH-01017,E/#06476,JH-
01017,E/#14177,,,,,I
45,1,,124160-11360,,,"KNOB",3,3,,,,,,,,,,,,,
46,1,,129900-11350,,,"BONNET ASSY",1,1,,,,,,,,,,,,,
46-1,1,,129953-11350,,,"BONNET ASSY",1,1,,,,,R,,TE-99639,E/#06476,TE-
99639,E/#07029,,,,,I
47,2,,129900-11310,,,"GASKET, BONNET",1,1,,,,,,,,,,,,,
49,2,,129900-11600,,,"PLATE",1,1,,,,,,,,,,,,,
50,2,,26022-050122,,,"SCREW M 5X 12",2,,,,,,,,,,,,,
50-1,2,,22857-500100,,,"SCREW 5X10,TAPPING",2,2,,,,,N,,*,EXXX,,,,,
51,2,,119100-11330,,,"JOINT, BREATHER",1,1,,,,,,,,,,,,,
52,1,,24311-000120,,,"O-RING 1A P 12.0",3,3,,,,,,,,,,,,,
53,1,,26106-080162,,,"BOLT M 8X 16 PLATED",4,4,,,,,,,,,,,,,
54,1,,26106-100652,,,"BOLT M10X 65 PLATED",1,1,,,,,,,,,,,,,
55,1,,124160-01751,,,"COVER,FILLER",1,1,,,,,,,,,,,,,
56,1,,24311-000320,,,"O-RING 1A P-32.0",1,1,,,,,,,,,,,,,

1,1,,129900-12050,, "GASKET, SUC.MANIFOLD",1,1,,,,,,,,,,,,,
2,1,,129900-12100,, "MANIFOLD,INT",1,1,,,,,,,,,,,,,
3,1,,26106-080452,, "BOLT M 8X 45 PLATED",9,9,,,,,,,,,,,,,
4,1,,121850-77021,, "GASKET, (NON-ASB.)",1,1,,,,,,,,,,,,,
5,1,,129915-77050,, "AIR HEATER",1,1,,,,,,,,,,,,,
6,1,,26106-080352,, "BOLT M 8X 35 PLATED",4,4,,,,,,,,,,,,,

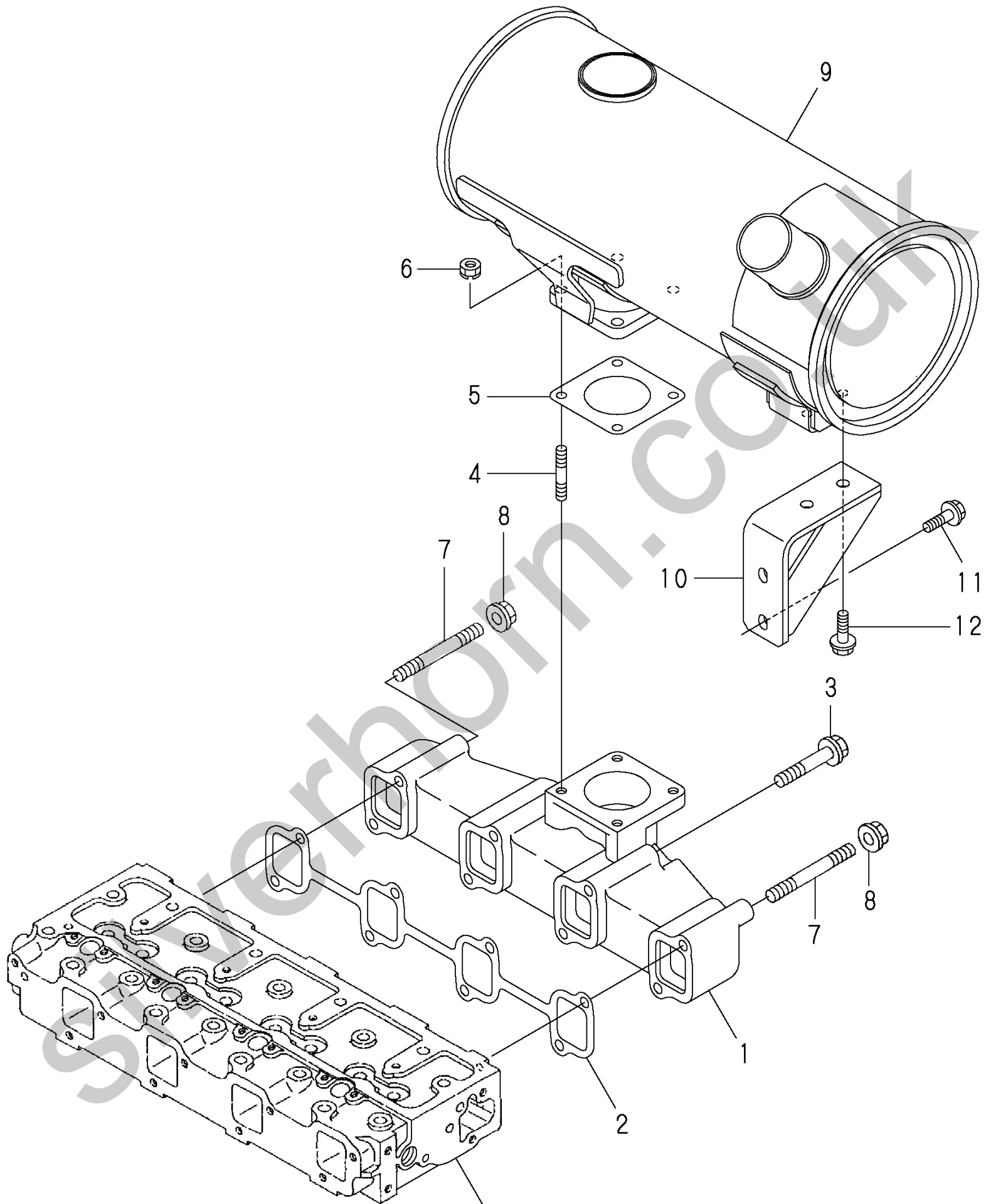
Silverhorn.CO.UK

REFER TO Fig. 4



1,1,,129900-13200,, "MANIFOLD, EXHAUST",1,1,,,,,,,,,,,,,
2,1,,129900-13251,, GASKET,1,1,,,,,,,,,,,,,
3,1,,26106-080802,, "BOLT M 8X 80 PLATED",6,6,,,,,,,,,,,,,
3-1,1,,123900-13630,, "BOLT 8X80",6,6,,,,,N,,TE-02073,E/#06476,TE-
02073,E/#18802,,,,,,,,,I
4,1,,26216-080222,, "STUD M 8X 22 PLATED",4,,,,,,,,,,,,,
4-1,1,,119131-18320,, "BOLT M 8X 22",4,4,,,,,N,,TE-97467,E/#02783,,,,,,,,,
5,1,,129400-13201,, "GASKET, (NON-ASB.)",1,1,,,,,,,,,,,,,
6,1,,26366-080002,, "NUT M 8",4,4,,,,,,,,,,,,,
6-1,1,,26306-080002,, NUT,4,4,,,,,R,,JH-01017,E/#06476,JH-
01017,E/#14177,,,,,,,,,I
7,1,,26216-080802,, "STUD M 8X 80 PLATED",2,2,,,,,,,,,,,,,
7-1,1,,123900-13610,, "STUD BOLT M 8X 80",2,2,,,,,N,,TE-02073,E/#06476,TE-
02073,E/#18802,,,,,,,,,I
8,1,,26366-080002,, "NUT M 8",2,2,,,,,,,,,,,,,
8-1,1,,26306-080002,, NUT,2,2,,,,,R,,JH-01017,E/#06476,JH-
01017,E/#14177,,,,,,,,,I
9,1,,129953-13540,, SILENCER,1,1,,,,,,,,,,,,,
10,1,,129953-13650,, "STAY, SILENCER",1,1,,,,,,,,,,,,,
11,1,,26106-080162,, "BOLT M 8X 16 PLATED",2,2,,,,,,,,,,,,,
12,1,,26106-080202,, "BOLT M 8X 20 PLATED",2,2,,,,,,,,,,,,,





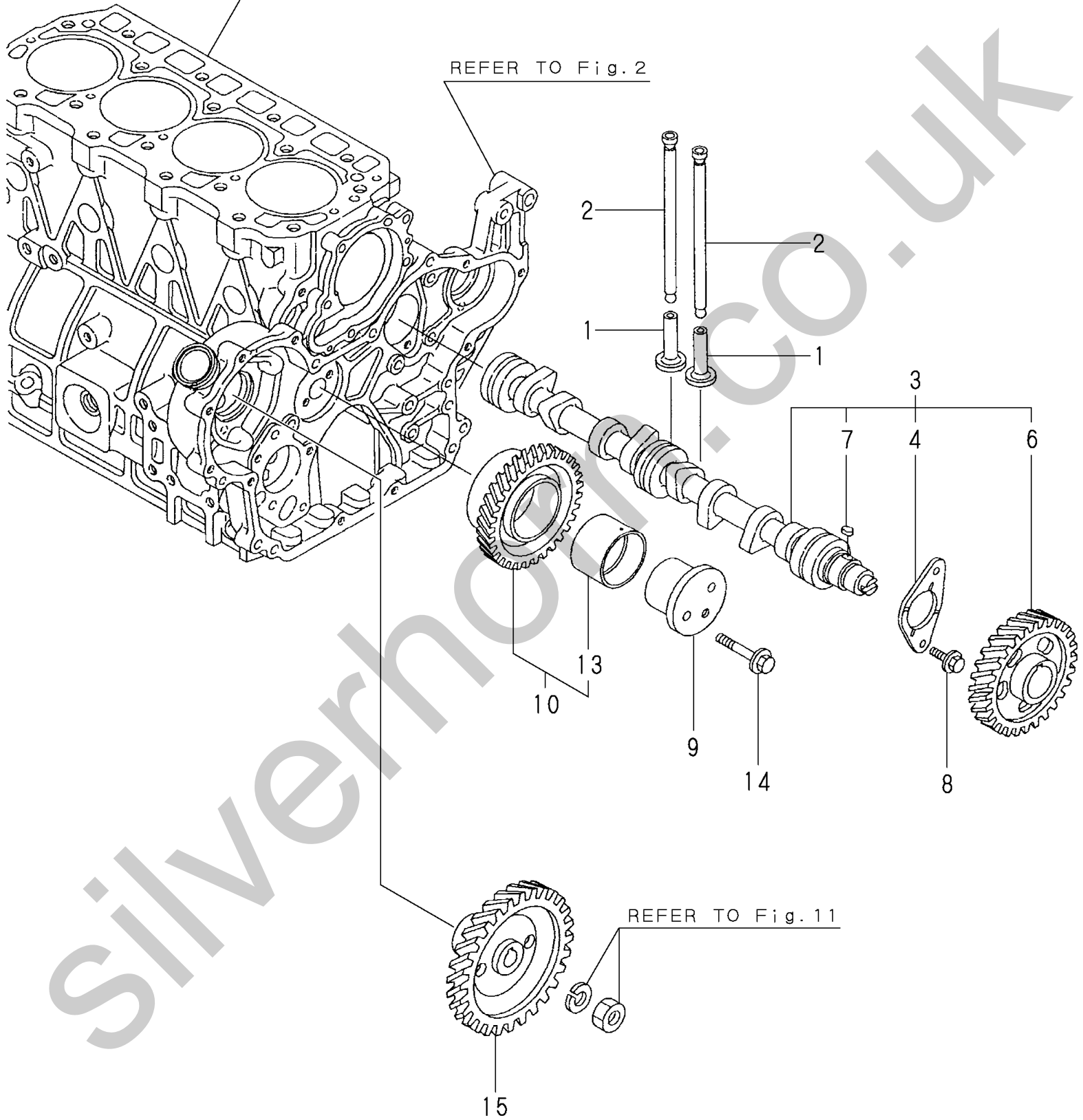
REFER TO Fig. 4

1,1,,129150-14200,,TAPPET,8,8,,,,,,,,,,,,,,,,,,,,,
2,1,,129900-14400,,,"ROD, PUSH",8,8,,,,,,,,,,,,,,,,,,,,,
3,1,,129900-14580,,,"CAMSHAFT ASSY",1,1,,,,,,,,,,,,,,,,,,,,,
4,2,,129150-02450,,,"METAL,THRUST(CAM",1,1,,,,,,,,,,,,,,,,,,,,,
6,2,,129900-14100,,,"GEAR, CAMSHAFT",1,1,,,,,,,,,,,,,,,,,,,,,
7,2,,22512-070140,,,"KEY 7X 14",1,1,,,,,,,,,,,,,,,,,,,,,
8,1,,26106-080162,,,"BOLT M 8X 16 PLATED",2,2,,,,,,,,,,,,,,,,,,,,,
9,1,,129900-25060,,,"SHAFT, IDLER",1,1,,,,,,,,,,,,,,,,,,,,,
10,1,,129900-25100,,,"GEAR ASSY, IDLE",1,1,,,,,,,,,,,,,,,,,,,,,
13,1,,129150-25920,,,"BUSH, IDLE GEAR",1,1,,,,,1,,,,,,,,,,,,,
14,1,,26106-080552,,,"BOLT M 8X 55 PLATED",2,2,,,,,,,,,,,,,,,,,,,,,
15,1,,129900-25900,,,"GEAR, FI-P",1,1,,,,,,,,,,,,,,,,,,,,,

Silverhorn.CO.UK

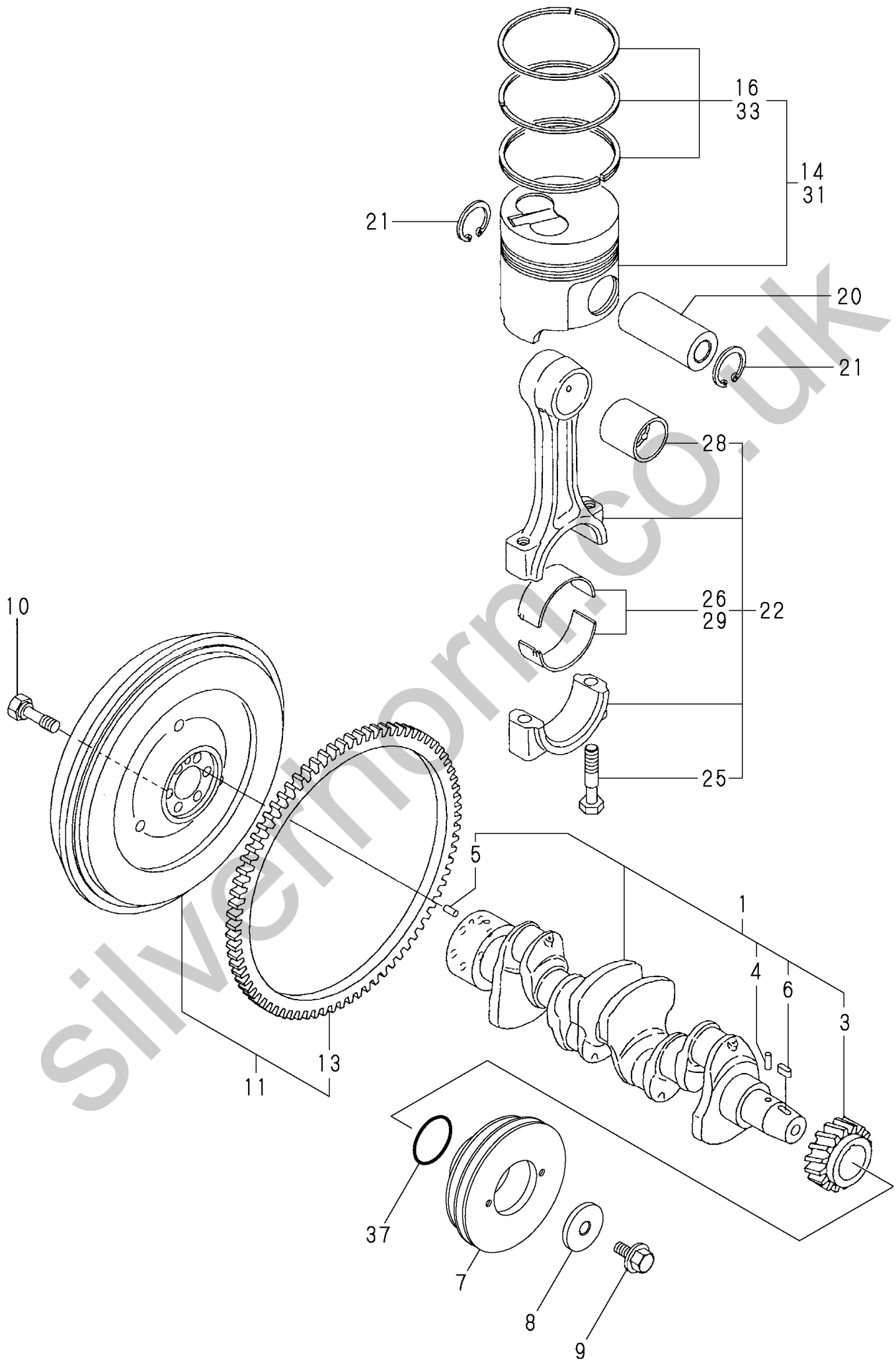
REFER TO Fig. 1

REFER TO Fig. 2

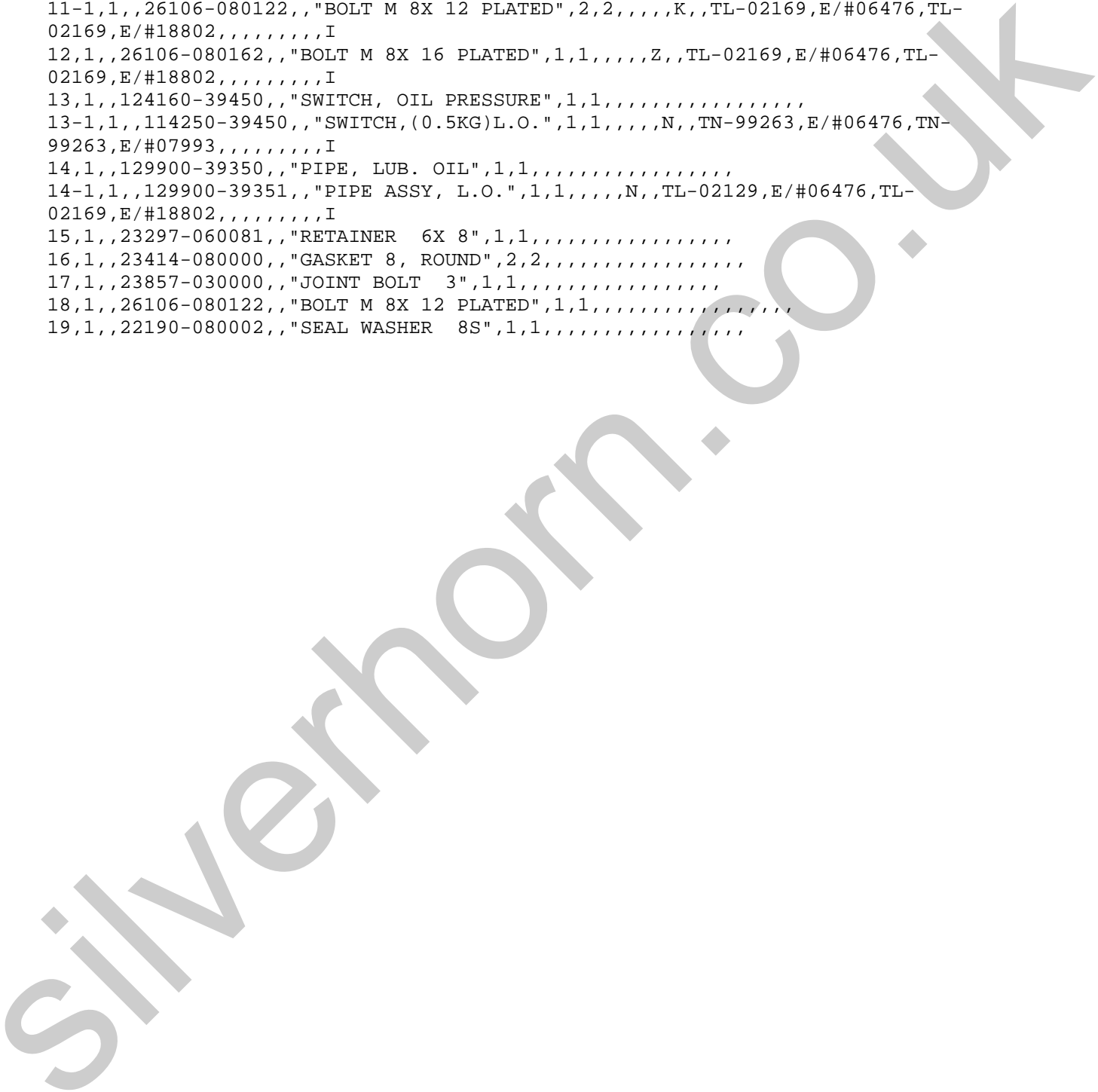


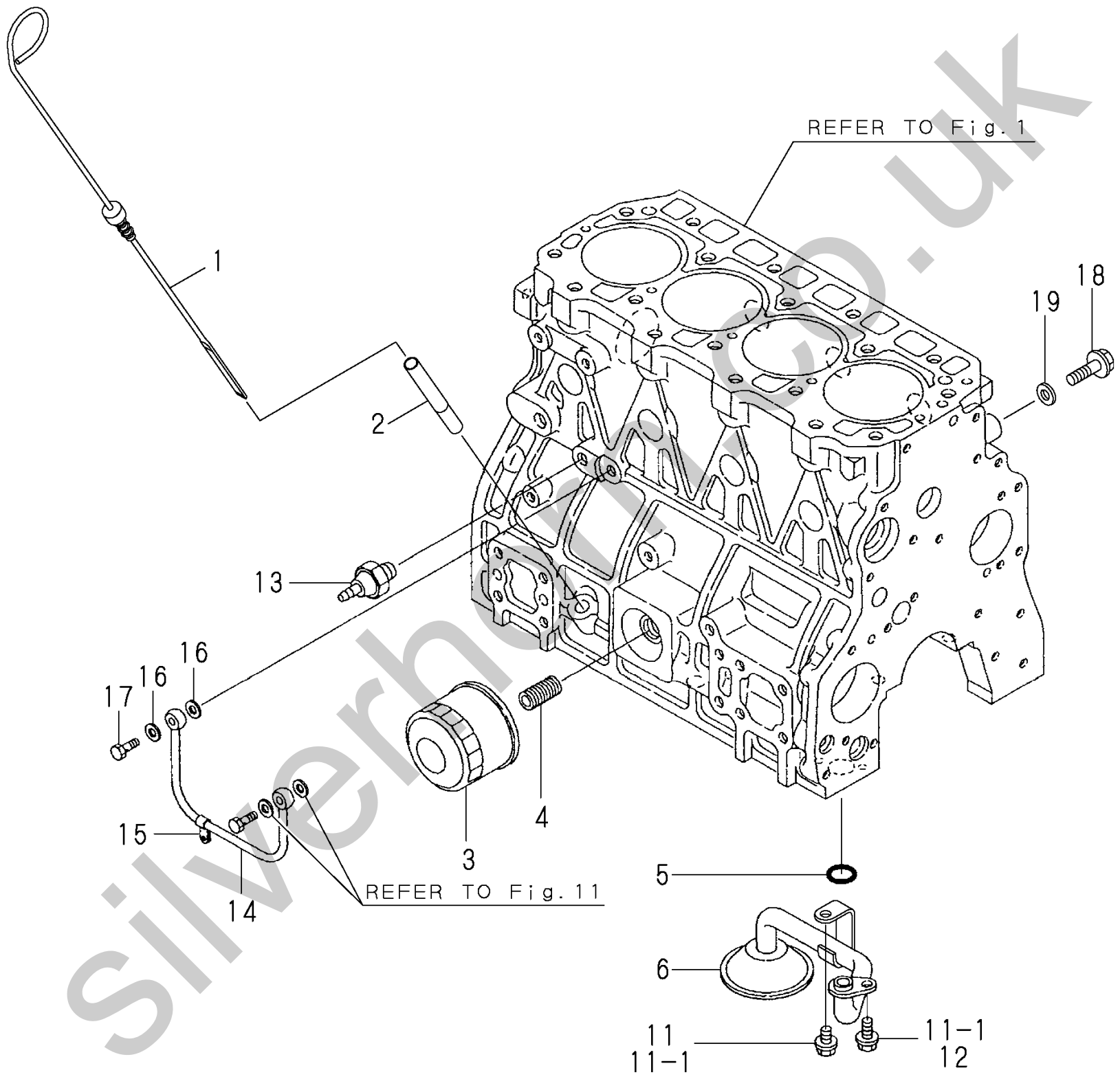
1,1,,129902-21000,, "CRANKSHAFT COMP",1,1,,,,,,,,,,,,,
 3,2,,129900-21200,, "GEAR, CRANKSHAFT",1,1,,,,,,,,,,,,,
 4,2,,121850-21290,, "PARALLEL PIN",1,1,,,,,,,,,,,,,
 5,2,,121850-21920,, "PARALLEL PIN 10X22",1,1,,,,,,,,,,,,,
 6,2,,22512-070140,, "KEY 7X 14",1,1,,,,,,,,,,,,,
 7,1,,129953-21610,, "V-PULLEY",1,1,,,,,,,,,,,,,
 8,1,,129960-21640,, "WASHER",1,1,,,,,,,,,,,,,
 9,1,,121850-21680,, "BOLT, V-PULLEY",1,1,,,,,,,,,,,,,
 10,1,,121850-21130,, "BOLT, FLYWHEEL",6,6,,,,,,,,,,,,,
 11,1,,129953-21581,, "FLYWHEEL ASSY",1,1,,,,,,,,,,,,,
 13,2,,129900-21600,, "GEAR, RING",1,1,,,,,,,,,,,,,
 14,1,,129902-22080,, "PISTON W/RING",4,4,,,,,,,,,,,,,
 16,2,,129903-22050,, "RING SET",4,4,,,,,,,,,,,,,
 20,1,,120130-22301,, "PIN, PISTON",4,4,,,,,,,,,,,,,
 21,1,,22252-000300,, "CIRCLIP 30",8,8,,,,,,,,,,,,,
 22,1,,129900-23000,, "ROD ASSY, CONNECTING",4,4,,,,,,,,,,,,,
 25,2,,129900-23200,, "BOLT, ROD",8,8,,,,,,,,,,,,,
 26,2,,129900-23600,, "METAL ASSY, CRANKPIN",4,4,,,,,,,,,,,,,
 28,1,,129900-23910,, "4,4,,,,,1,,,,,,,,,,,,,
 29,1,,129900-23610,, "BEARING, PIN U.S=0.25",4,4,,,,,2,,,,,,,,,,,,,
 31,1,,129902-22900,, "PISTON W/RING O.S=25",4,4,,,,,3,,,,,,,,,,,,,
 33,2,,129903-22950,, "RING SET O.S=0.25",4,4,,,,,3,,,,,,,,,,,,,
 37,1,,24341-000530,, "O-RING 1A S-53.0",1,1,,,,,,,,,,,,,

Silverhorn.CO.UK



1,1,,129953-34800,,DIPSTICK,1,1,,,,,,,,,,,,,
2,1,,121520-34810,,,"GUIDE, DIPSTICK",1,1,,,,,,,,,,,,,
3,1,,129150-35151,,,"FILTER 80X80L",1,1,,,,,,,,,,,,,
4,1,,119000-35140,,,"STUD, LUB.OIL FILTER",1,1,,,,,,,,,,,,,
5,1,,129900-32030,,,"O-RING P20",1,1,,,,,,,,,,,,,
6,1,,129900-35000,,,"PIPE ASSY, LUB. OIL",1,1,,,,,,,,,,,,,
11,1,,26106-080122,,,"BOLT M 8X 12 PLATED",1,1,,,,,,,,,,,,,
11-1,1,,26106-080122,,,"BOLT M 8X 12 PLATED",2,2,,,,,K,,TL-02169,E/#06476,TL-
02169,E/#18802,,,,,,I
12,1,,26106-080162,,,"BOLT M 8X 16 PLATED",1,1,,,,,Z,,TL-02169,E/#06476,TL-
02169,E/#18802,,,,,,I
13,1,,124160-39450,,,"SWITCH, OIL PRESSURE",1,1,,,,,,,,,,,,,
13-1,1,,114250-39450,,,"SWITCH,(0.5KG)L.O.",1,1,,,,,N,,TN-99263,E/#06476,TN-
99263,E/#07993,,,,,,I
14,1,,129900-39350,,,"PIPE, LUB. OIL",1,1,,,,,,,,,,,,,
14-1,1,,129900-39351,,,"PIPE ASSY, L.O.",1,1,,,,,N,,TL-02129,E/#06476,TL-
02169,E/#18802,,,,,,I
15,1,,23297-060081,,,"RETAINER 6X 8",1,1,,,,,,,,,,,,,
16,1,,23414-080000,,,"GASKET 8, ROUND",2,2,,,,,,,,,,,,,
17,1,,23857-030000,,,"JOINT BOLT 3",1,1,,,,,,,,,,,,,
18,1,,26106-080122,,,"BOLT M 8X 12 PLATED",1,1,,,,,,,,,,,,,
19,1,,22190-080002,,,"SEAL WASHER 8S",1,1,,,,,,,,,,,,,

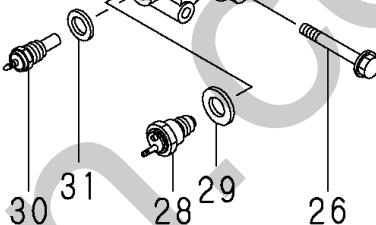
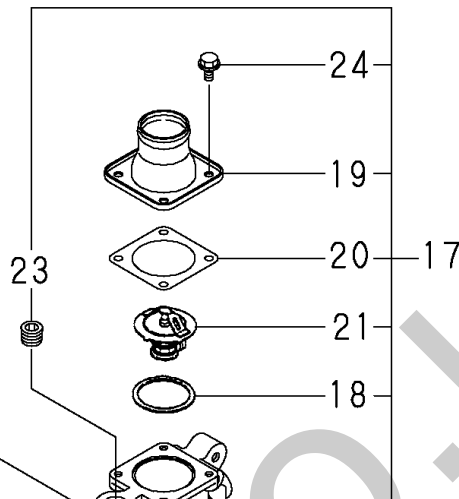
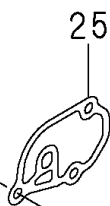
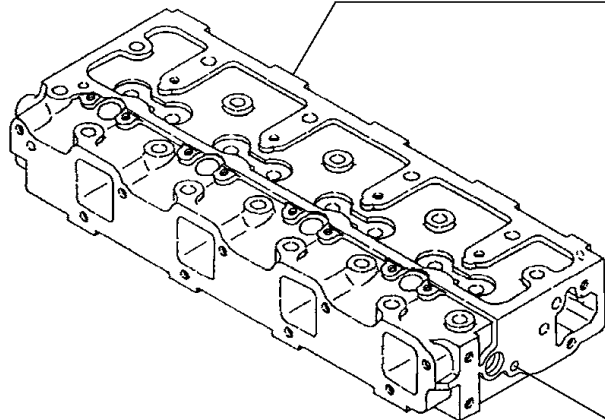




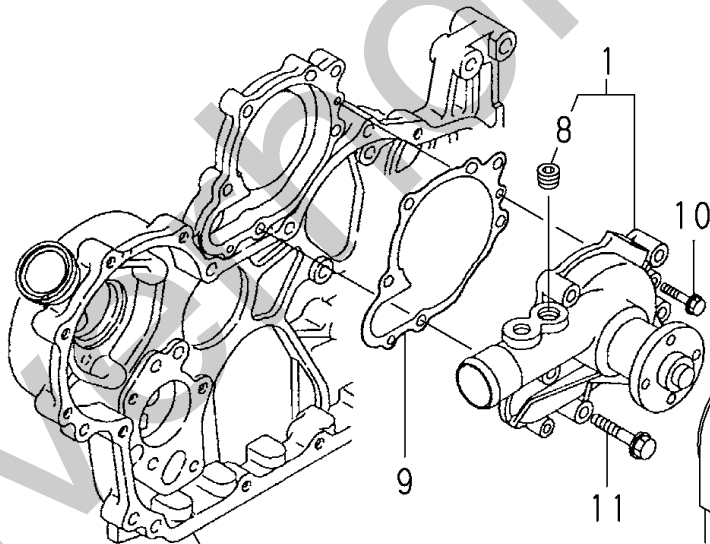
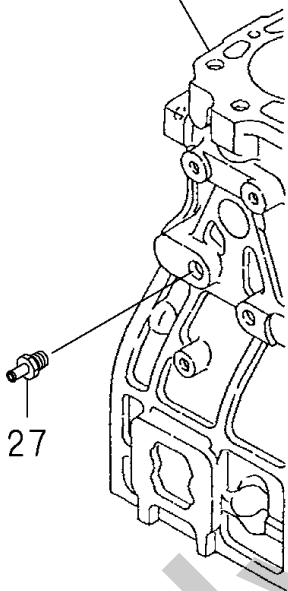
1,1,,129900-42001,, "PUMP, COOLING WATER",1,1,,,,,,,,,,,,,
 8,2,,23871-030000,, "PLUG PT3/8,SCREW",2,2,,,,,,,,,,,,,
 8-1,2,,23876-030000,, "PLUG PT3/8,SCREW",2,2,,,,,N,,GZ-99001,E/#06107,GZ-
 99001,E/#06383,,,,,,,,,
 8-2,2,,23875-030000,, "PLUG PT3/8,STEEL",2,2,,,,,N,,*,EXXX,*,EXXX,,,,,,,,,I
 9,1,,129900-42020,, "GASKET, CW-P",1,1,,,,,,,,,,,,,
 10,1,,26106-060302,, "BOLT M 6X 30 PLATED",2,2,,,,,,,,,,,,,
 11,1,,26106-080552,, "BOLT M 8X 55 PLATED",5,5,,,,,,,,,,,,,
 12,1,,129953-42350,, "PULLEY, C.W. PUMP",1,,,,,,,,,,,,,
 12-1,1,,129900-42461,, "PULLEY,1,1,,,,,N,,TE-97071,E/#01461,,,,,,,,,
 13,1,,25132-004250,, "V-BELT,LOW EDGE A42",1,,,,,,,,,,,,,
 13-1,1,,25132-004200,, "V-BELT,LOW-EDGE A42",1,1,,,,,N,,TE-
 97071,E/#01461,,,,,,,,,
 14,1,,129900-44700,, "FAN,1,1,,,,,,,,,,,,,
 15,1,,119130-44760,, "SPACER, FAN",1,1,,,,,,,,,,,,,
 16,1,,26014-080352,, "BOLT M 8X 35",4,4,,,,,,,,,,,,,
 17,1,,129900-49860,, "CASE, THERMOSTAT",1,1,,,,,,,,,,,,,
 17-1,1,,129900-49861,, "CASE ASSY,THERMOSTAT",1,1,,,,,N,,TL-01295,E/#06476,TL-
 01295,E/#15878,,,,,,,,,I
 18,2,,121850-49550,, "GASKET, THERMOSTAT",1,1,,,,,,,,,,,,,
 19,2,,121850-49530,, "COVER, THERMOSTAT",1,1,,,,,,,,,,,,,
 19-1,2,,129916-49530,, "COVER, THERMOSTAT",1,1,,,,,N,,TL-01295,E/#06476,TL-
 01295,E/#15878,,,,,,,,,I
 20,2,,121850-49540,, "GASKET, THERMOSTAT",1,1,,,,,,,,,,,,,
 21,2,,121850-49810,, "THERMOSTAT",1,1,,,,,,,,,,,,,
 23,2,,23871-030000,, "PLUG PT3/8,SCREW",2,2,,,,,,,,,,,,,
 23-1,2,,23876-030000,, "PLUG PT3/8,SCREW",2,2,,,,,N,,GZ-99001,E/#06107,GZ-
 99001,E/#06383,,,,,,,,,
 23-2,2,,23875-030000,, "PLUG PT3/8,STEEL",2,2,,,,,N,,*,EXXX,*,EXXX,,,,,,,,,I
 24,2,,26106-060142,, "BOLT M 6X 14 PLATED",4,4,,,,,,,,,,,,,
 24-1,2,,26106-060202,, "BOLT M 6X 20 PLATED",4,4,,,,,N,,TL-01295,E/#06476,TL-
 01295,E/#15878,,,,,,,,,I
 25,1,,129900-49870,, "GASKET, CASE",1,1,,,,,,,,,,,,,
 26,1,,26106-080602,, "BOLT M 8X 60 PLATED",3,3,,,,,,,,,,,,,
 27,1,,121550-49111,, "JOINT PT1/4",1,1,,,,,,,,,,,,,
 28,1,,121250-44901,, "SWITCH, THERMO(110 β C)",1,1,,,,,,,,,,,,,
 29,1,,124465-44950,, "GASKET 16",1,1,,,,,,,,,,,,,
 30,1,,171056-49351,, "SENSER,1,1,,,,,,,,,,,,,
 31,1,,129150-49360,, "GASKET 10",1,1,,,,,,,,,,,,,



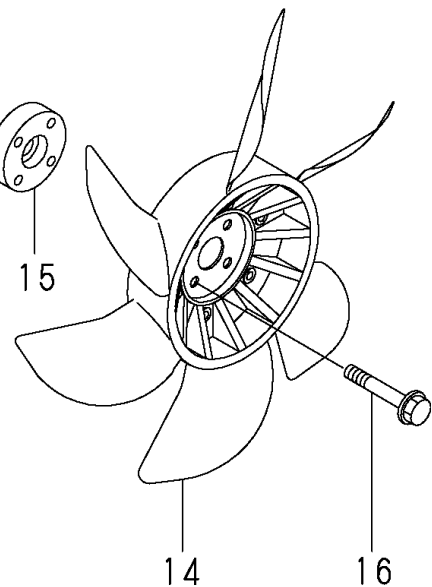
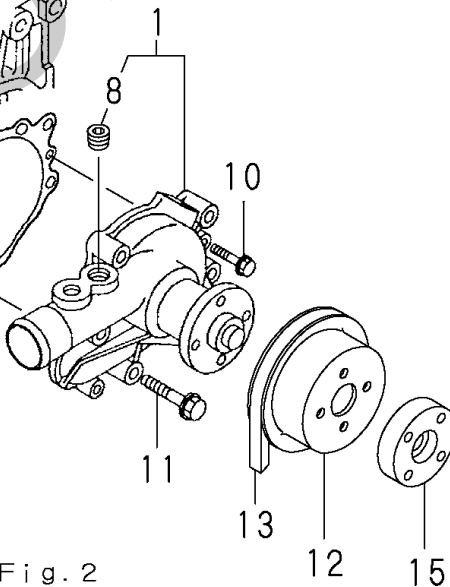
REFER TO Fig. 4



REFER TO Fig. 1



REFER TO Fig. 2



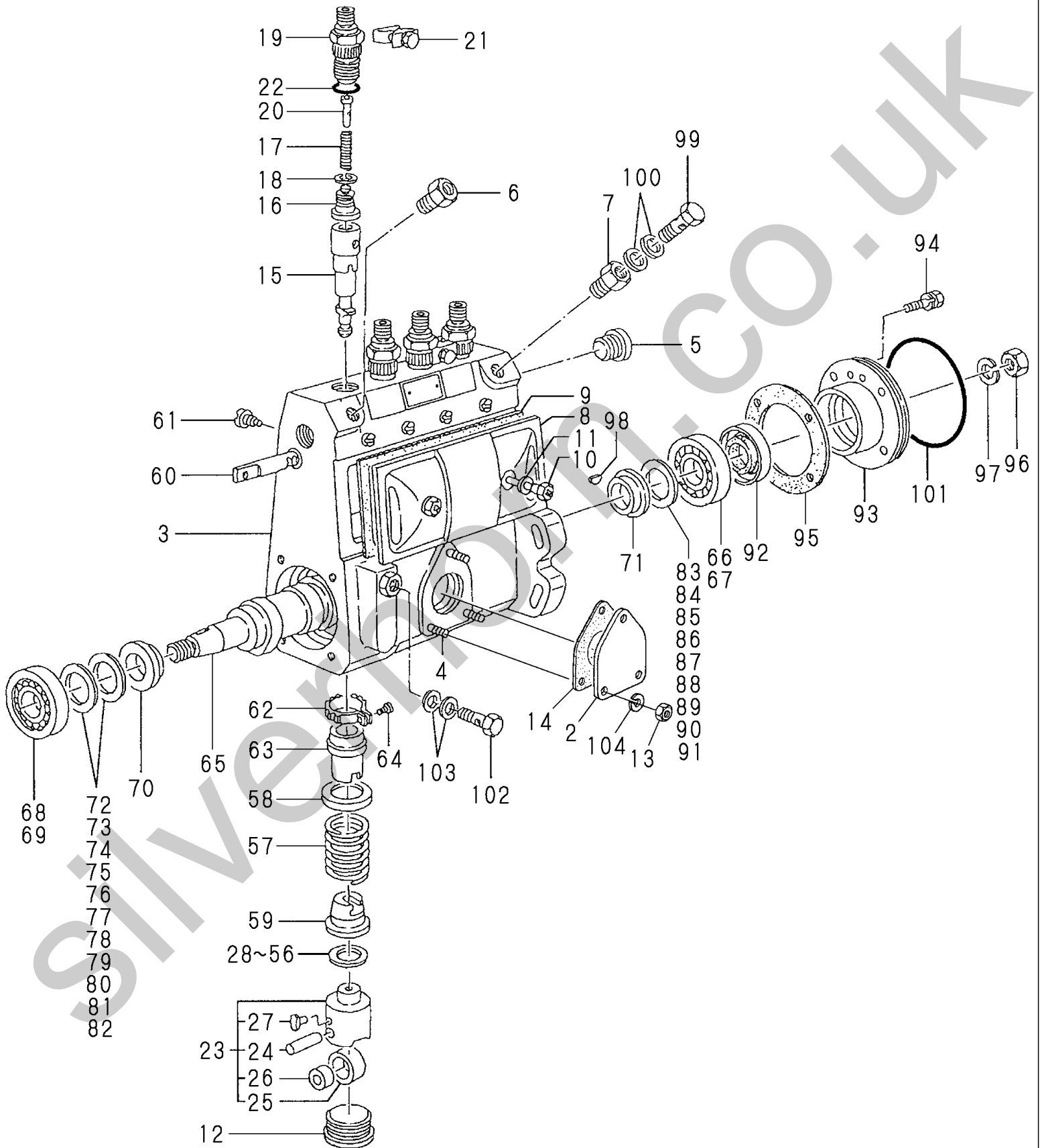
14

16

1,1,,129953-51000,, "FUEL INJECTION PUMP",1,1,,,,,1,,,,,
2,2,,X1310400200,,COVER,1,1,,,,,
3,2,,X1310641621,, "FLANGED HOUSING",1,1,,,,,
4,2,,X0290406020,,STUD,3,3,,,,,
5,2,,X1340260000,,PLUG,1,1,,,,,
6,2,,X1310022000,,CAP,1,1,,,,,
7,2,,X1310022000,,CAP,1,1,,,,,
8,2,,X1310286220,,COVER,1,1,,,,,
9,2,,X1310111900,,GASKET,1,1,,,,,
10,2,,X1310171000,,SCREW,2,2,,,,,
11,2,,X0293406020,,GASKET,2,2,,,,,
12,2,,X1310341401,,PLUG,4,4,,,,,
13,2,,X0130206040,,NUT,3,3,,,,,
14,2,,X1310410800,,GASKET,1,1,,,,,
15,2,,X1311523420,,PLUNGER,4,4,,,,,
16,2,,X1311607920,, "DELIVERY VALVE",4,4,,,,,
17,2,,X1311123500,,SPRING,4,4,,,,,
18,2,,X1311151600,,GASKET,4,4,,,,,
19,2,,X1311167600,,HOLDER,4,4,,,,,
20,2,,X1311172300,,STOPPER,4,4,,,,,
21,2,,X1311220520,,PLATE,2,2,,,,,
22,2,,X0296320030,,O-RING,4,4,,,,,
23,2,,X1312000220,,TAPPET,4,4,,,,,
24,3,,X1312030200,,PIN,4,4,,,,,
25,3,,X1312041000,,ROLLER,4,4,,,,,
26,3,,X1312050500,,BUSH,4,4,,,,,
27,3,,X1312060200,,GUIDE,4,4,,,,,
28,2,,X0293110020,,SHIM,1,1,,,,,
29,2,,X0293110030,,SHIM,1,1,,,,,
30,2,,X0293110040,,SHIM,1,1,,,,,
31,2,,X0293110050,,SHIM,1,1,,,,,
32,2,,X0293110060,,SHIM,1,1,,,,,
33,2,,X0293110070,,SHIM,1,1,,,,,
34,2,,X0293110080,,SHIM,1,1,,,,,
35,2,,X0293110090,,SHIM,1,1,,,,,
36,2,,X0293110110,,SHIM,1,1,,,,,
37,2,,X0293110120,,SHIM,1,1,,,,,
38,2,,X0293110130,,SHIM,1,1,,,,,
39,2,,X0293110140,,SHIM,1,1,,,,,
40,2,,X0293110270,,SHIM,1,1,,,,,
41,2,,X0293110280,,SHIM,1,1,,,,,
42,2,,X0293110290,,SHIM,1,1,,,,,
43,2,,X0293110310,,SHIM,1,1,,,,,
44,2,,X0293110320,,SHIM,1,1,,,,,
45,2,,X0293110330,,SHIM,1,1,,,,,
46,2,,X0293110340,,SHIM,1,1,,,,,
47,2,,X0293110350,,SHIM,1,1,,,,,
48,2,,X0293110490,,SHIM,1,1,,,,,
49,2,,X0293110500,,SHIM,1,1,,,,,
50,2,,X0293110580,,SHIM,1,1,,,,,
51,2,,X0293110590,,SHIM,1,1,,,,,
52,2,,X0293110600,,SHIM,1,1,,,,,
53,2,,X0293110610,,SHIM,1,1,,,,,
54,2,,X0293110620,,SHIM,1,1,,,,,
55,2,,X0293110630,,SHIM,1,1,,,,,
56,2,,X0293110710,,SHIM,1,1,,,,,
57,2,,X1312152500,,SPRING,4,4,,,,,
58,2,,X1312160100,, "SEAT, SPRING",4,4,,,,,
59,2,,X1312170200,, "SEAT, SPRING",4,4,,,,,
60,2,,X1312540600,, "RACK, CONTROL",1,1,,,,,
61,2,,X1312260300,,SCREW,1,1,,,,,
62,2,,X1312400100,,PINION,4,4,,,,,
63,2,,X1312410100,, "SLEEVE, CONTROL",4,4,,,,,

64,2,,X1312420100,,SCREW,4,4,,,,,,,,,,,,,,,,,
65,2,,X1313612700,,CAMSHAFT,1,1,,,,,,,,,,,,,
66,2,,X0166402030,,BEARING,1,1,,,,,,,,,,,,,
67,2,,X0282020020,,BEARING,1,1,,,,,,,,,,,,,
68,2,,X0166302030,,BEARING,1,1,,,,,,,,,,,,,
69,2,,X0282017020,,BEARING,1,1,,,,,,,,,,,,,
70,2,,X1313020300,,RING,1,1,,,,,,,,,,,,,,,,,
71,2,,X1313021000,,RING,1,1,,,,,,,,,,,,,,,,,
72,2,,X0293117010,,SHIM,1,1,,,,,,,,,,,,,,,,,
73,2,,X0293117020,,SHIM,1,1,,,,,,,,,,,,,,,,,
74,2,,X0293117030,,SHIM,1,1,,,,,,,,,,,,,,,,,
75,2,,X0293117040,,SHIM,1,1,,,,,,,,,,,,,,,,,
76,2,,X0293117050,,SHIM,1,1,,,,,,,,,,,,,,,,,
77,2,,X0293117060,,SHIM,1,1,,,,,,,,,,,,,,,,,
78,2,,X0293117070,,SHIM,1,1,,,,,,,,,,,,,,,,,
79,2,,X0293117090,,SHIM,1,1,,,,,,,,,,,,,,,,,
80,2,,X0293117210,,SHIM,1,1,,,,,,,,,,,,,,,,,
81,2,,X0293117220,,SHIM,1,1,,,,,,,,,,,,,,,,,
82,2,,X1394170000,,SHIM,1,1,,,,,,,,,,,,,,,,,
83,2,,X0293120220,,SHIM,1,1,,,,,,,,,,,,,,,,,
84,2,,X0293120230,,SHIM,1,1,,,,,,,,,,,,,,,,,
85,2,,X0293120240,,SHIM,1,1,,,,,,,,,,,,,,,,,
86,2,,X0293120250,,SHIM,1,1,,,,,,,,,,,,,,,,,
87,2,,X0293120260,,SHIM,1,1,,,,,,,,,,,,,,,,,
88,2,,X0293120270,,SHIM,1,1,,,,,,,,,,,,,,,,,
89,2,,X0293120290,,SHIM,1,1,,,,,,,,,,,,,,,,,
90,2,,X0293120300,,SHIM,1,1,,,,,,,,,,,,,,,,,
91,2,,X1394200400,,SHIM,1,1,,,,,,,,,,,,,,,,,
92,2,,X0296220190,, "SEAL, OIL",1,1,,,,,,,,,,,,,
93,2,,X1313301800,,COVER,1,1,,,,,,,,,,,,,,,,,
94,2,,X0200062040,,BOLT,4,4,,,,,,,,,,,,,,,,,
95,2,,X1313211900,,GASKET,1,1,,,,,,,,,,,,,,,,,
96,2,,X0131214140,,NUT,1,1,,,,,,,,,,,,,,,,,
97,2,,X0293214010,, "SPRING WASHER",1,1,,,,,,,,,,,,,
98,2,,X0294704030,, "WOODRUFF KEY",1,1,,,,,,,,,,,,,
99,2,,X0297314680,, "EYE BOLT",1,1,,,,,,,,,,,,,
100,2,,X0265141840,,GASKET,2,2,,,,,,,,,,,,,,,,,
101,2,,X0296375020,,O-RING,1,1,,,,,,,,,,,,,,,,,
102,2,,X0297310120,, "EYE BOLT",1,1,,,,,,,,,,,,,
103,2,,X0265101340,,GASKET,2,2,,,,,,,,,,,,,,,,,
104,2,,X0141106440,, "SPRING WASHER",1,1,,,,,,,,,,,,,

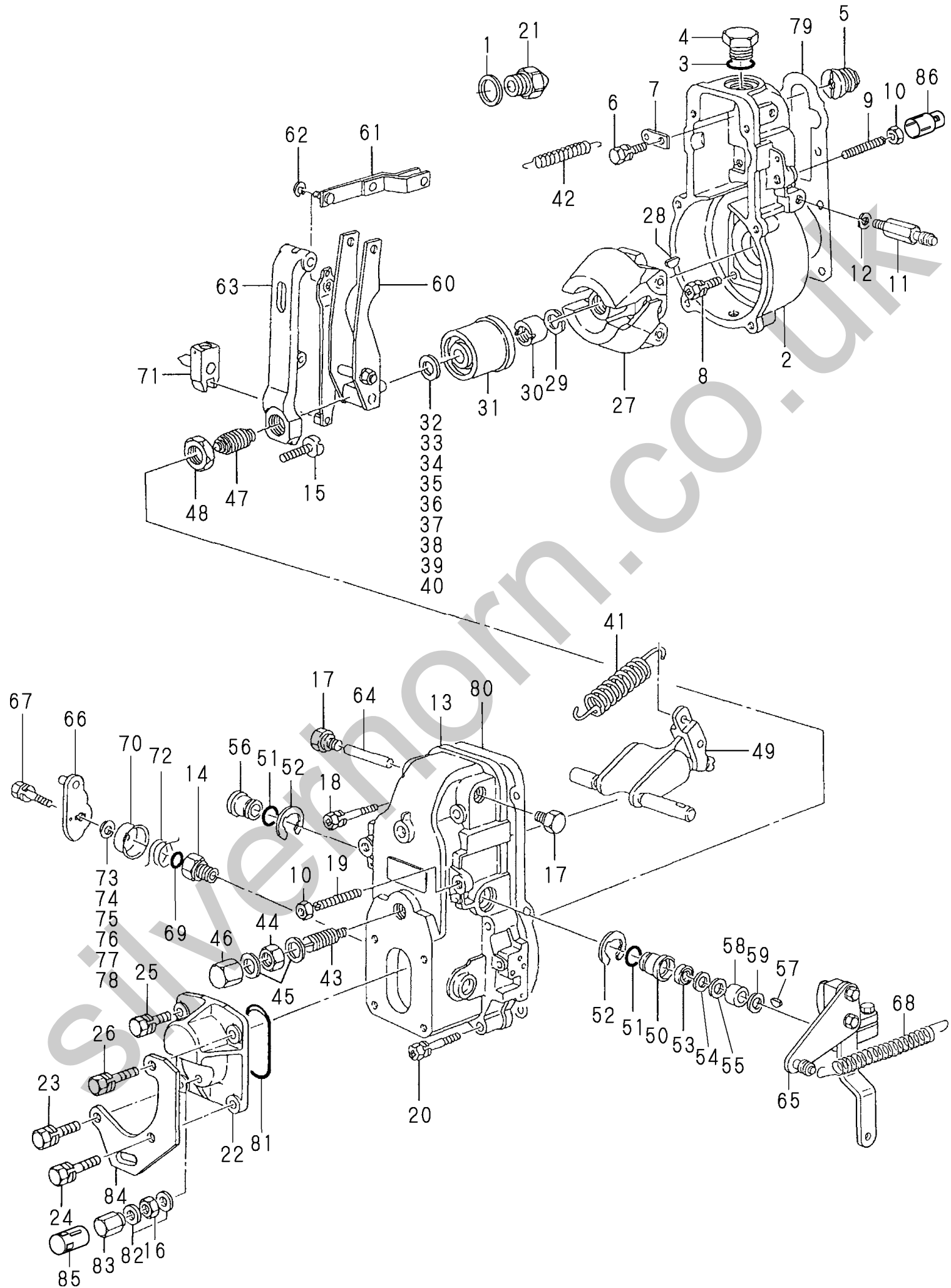




1,2,,X0265182240,,GASKET,1,1,,,,,,,,,,,,,,,,,,,,,
2,2,,X1540006400,, "FLANGED HOUSING",1,1,,,,,,,,,,,,,,,,,,,,,
3,2,,X0296325070,,O-RING,1,1,,,,,,,,,,,,,,,,,,,,,
4,2,,X1540072900,,PLUG,1,1,,,,,,,,,,,,,,,,,,,,,
5,2,,X1540070200,,ADAPTOR,1,1,,,,,,,,,,,,,,,,,,,,,
6,2,,X0200181840,,BOLT,1,1,,,,,,,,,,,,,,,,,,,,,
7,2,,X1543501900,,PLATE,1,1,,,,,,,,,,,,,,,,,,,,,
8,2,,X0290106810,,BOLT,6,6,,,,,,,,,,,,,,,,,,,,,
9,2,,X1540100100,,SCREW,1,1,,,,,,,,,,,,,,,,,,,,,
10,2,,X1540110100,,NUT,2,2,,,,,,,,,,,,,,,,,,,,,
11,2,,X1540132320,,BOLT,1,1,,,,,,,,,,,,,,,,,,,,,
12,2,,X0141108440,, "SPRING WASHER",1,1,,,,,,,,,,,,,,,,,,,,,
13,2,,X1545001020,,COVER,1,1,,,,,,,,,,,,,,,,,,,,,
14,2,,X1543210400,,BUSH,1,1,,,,,,,,,,,,,,,,,,,,,
15,2,,X1540313000,,SCREW,1,1,,,,,,,,,,,,,,,,,,,,,
16,2,,X1392060600,,NUT,1,1,,,,,,,,,,,,,,,,,,,,,
17,2,,X1540360300,,PLUG,2,2,,,,,,,,,,,,,,,,,,,,,
18,2,,X0201065040,,BOLT,2,2,,,,,,,,,,,,,,,,,,,,,
19,2,,X1540100100,,SCREW,1,1,,,,,,,,,,,,,,,,,,,,,
20,2,,X0201063840,,BOLT,4,4,,,,,,,,,,,,,,,,,,,,,
21,2,,X1554045120,,LIMITER,1,1,,,,,,,,,,,,,,,,,,,,,
22,2,,X1540635100,,COVER,1,1,,,,,,,,,,,,,,,,,,,,,
23,2,,X0290206260,,BOLT,1,1,,,,,,,,,,,,,,,,,,,,,
24,2,,X0290206260,,BOLT,1,1,,,,,,,,,,,,,,,,,,,,,
25,2,,X0200062040,,BOLT,1,1,,,,,,,,,,,,,,,,,,,,,
26,2,,X0200061640,,BOLT,1,1,,,,,,,,,,,,,,,,,,,,,
27,2,,X1541010020,, "FLYWAIGHT ASSY.",1,1,,,,,,,,,,,,,,,,,,,,,
28,2,,X0258031610,, "WOODRUFF KEY",1,1,,,,,,,,,,,,,,,,,,,,,
29,2,,X0293212020,, "SPRING WASHER",1,1,,,,,,,,,,,,,,,,,,,,,
30,2,,X0292312030,,NUT,1,1,,,,,,,,,,,,,,,,,,,,,
31,2,,X1541230120,,SLEEVE,1,1,,,,,,,,,,,,,,,,,,,,,
32,2,,X0293110010,,SHIM,1,1,,,,,,,,,,,,,,,,,,,,,
33,2,,X0293110180,,SHIM,1,1,,,,,,,,,,,,,,,,,,,,,
34,2,,X0293110190,,SHIM,1,1,,,,,,,,,,,,,,,,,,,,,
35,2,,X0293110210,,SHIM,1,1,,,,,,,,,,,,,,,,,,,,,
36,2,,X1394100000,,SHIM,1,1,,,,,,,,,,,,,,,,,,,,,
37,2,,X1394100100,,SHIM,1,1,,,,,,,,,,,,,,,,,,,,,
38,2,,X1394103000,,SHIM,1,1,,,,,,,,,,,,,,,,,,,,,
39,2,,X1394103100,,SHIM,1,1,,,,,,,,,,,,,,,,,,,,,
40,2,,X1394103200,,SHIM,1,1,,,,,,,,,,,,,,,,,,,,,
41,2,,X1541502900,,SPRING,1,1,,,,,,,,,,,,,,,,,,,,,
42,2,,X1541540701,,SPRING,1,1,,,,,,,,,,,,,,,,,,,,,
43,2,,X1541581220,, "CAPSULE, SPRING",1,1,,,,,,,,,,,,,,,,,,,,,
44,2,,X1540111700,,NUT,1,1,,,,,,,,,,,,,,,,,,,,,
45,2,,X0265121540,,GASKET,2,2,,,,,,,,,,,,,,,,,,,,,
46,2,,X1541591200,, "NUT, CAP",1,1,,,,,,,,,,,,,,,,,,,,,
47,2,,X1541771220,,SPRING,1,1,,,,,,,,,,,,,,,,,,,,,
48,2,,X0292016010,,NUT,1,1,,,,,,,,,,,,,,,,,,,,,
49,2,,X1542006920,,LEVER,1,1,,,,,,,,,,,,,,,,,,,,,
50,2,,X1542043000,,BUSH,1,1,,,,,,,,,,,,,,,,,,,,,
51,2,,X0296318020,,O-RING,2,2,,,,,,,,,,,,,,,,,,,,,
52,2,,X0160101640,, "RING, SNAP",2,2,,,,,,,,,,,,,,,,,,,,,
53,2,,X1396110000,, "SEAL, OIL",1,1,,,,,,,,,,,,,,,,,,,,,
54,2,,X1394110000,,SHIM,1,1,,,,,,,,,,,,,,,,,,,,,
55,2,,X0293111070,,SHIM,1,1,,,,,,,,,,,,,,,,,,,,,
56,2,,X1542043100,,BUSH,1,1,,,,,,,,,,,,,,,,,,,,,
57,2,,X0258031310,, "WOODRUFF KEY",1,1,,,,,,,,,,,,,,,,,,,,,
58,2,,X1542062800,,COLLAR,1,1,,,,,,,,,,,,,,,,,,,,,
59,2,,X1542060200,,WASHER,1,1,,,,,,,,,,,,,,,,,,,,,
60,2,,X1542163820,, "LEVER ASSY, GUIDE",1,1,,,,,,,,,,,,,,,,,,,,,
61,2,,X1542303920,,LINK,1,1,,,,,,,,,,,,,,,,,,,,,
62,2,,X0160100540,, "RING, SNAP",1,1,,,,,,,,,,,,,,,,,,,,,
63,2,,X1542364100,, "LEVER, TENSION",1,1,,,,,,,,,,,,,,,,,,,,,

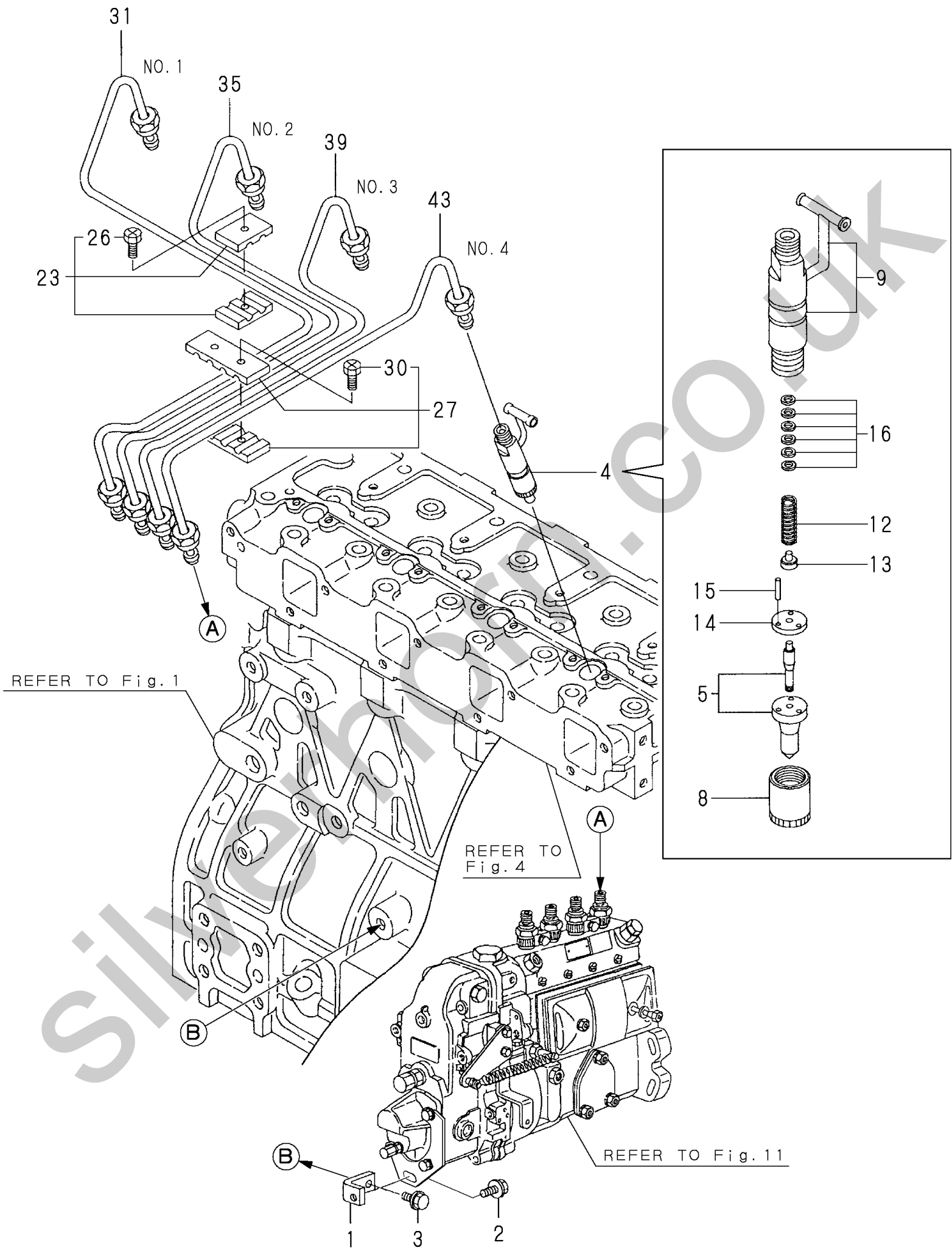
64,2,,X1542370100,,PIN,1,1,,,,,,,,,,,,,
65,2,,X1543960320,,LEVER,1,1,,,,,,,,,,,,,
66,2,,X1543826020,,LEVER,1,1,,,,,,,,,,,,,
67,2,,X0200061640,,BOLT,1,1,,,,,,,,,,,,,
68,2,,X1543142600,,SPRING,1,1,,,,,,,,,,,,,
69,2,,X0296310030,,O-RING,1,1,,,,,,,,,,,,,
70,2,,X1543220100,,CAP,1,1,,,,,,,,,,,,,
71,2,,X1543265020,, "LEVER ASSY",1,1,,,,,,,,,,,,,
72,2,,X1543277600,,SPRING,1,1,,,,,,,,,,,,,
73,2,,X0293110520,,SHIM,1,1,,,,,,,,,,,,,
74,2,,X0293110530,,SHIM,1,1,,,,,,,,,,,,,
75,2,,X0293110540,,SHIM,1,1,,,,,,,,,,,,,
76,2,,X0293110550,,SHIM,1,1,,,,,,,,,,,,,
77,2,,X0293110560,,SHIM,1,1,,,,,,,,,,,,,
78,2,,X0293110570,,SHIM,1,1,,,,,,,,,,,,,
79,2,,X1543507700,,GASKET,1,1,,,,,,,,,,,,,
80,2,,X1543507800,,GASKET,1,1,,,,,,,,,,,,,
81,2,,X0296352020,,O-RING,1,1,,,,,,,,,,,,,
82,2,,X0265061040,,GASKET,2,2,,,,,,,,,,,,,
83,2,,X1540351600,, "CAP NUT",1,1,,,,,,,,,,,,,
84,2,,X1543587200,,BRACKET,1,1,,,,,,,,,,,,,
85,1,,129955-61940,, "CAP (FULL LOAD",1,1,,,,,W,,TL-01326,E/#06476,TL-
01326,E/#16606,,,,,,,,,I
86,1,,129955-61990,,CAP,1,1,,,,,W,,TL-01326,E/#06476,TL-01326,E/#16606,,,,,,,,,I





1,1,,129900-01950,,BRACKET,1,1,,,,,,,,,,,,,
2,1,,26106-100142,,,"BOLT M10X 14 PLATED",1,1,,,,,,,,,,,,,
3,1,,26106-080202,,,"BOLT M 8X 20 PLATED",1,1,,,,,,,,,,,,,
4,1,,729902-53100,,,"VALVE, FUEL",4,4,,,,,,,,,,,,,
5,2,,129902-53000,,NOZZLE,4,4,,,,,,,,,,,,,
8,2,,114250-53080,,,"NUT, NOZZLE CASE",4,4,,,,,,,,,,,,,
9,2,,129100-53100,,,"HOLDER ASSY, NOZZLE",4,4,,,,,,,,,,,,,
12,2,,114250-53120,,,"SPRING, NOZZLE",4,4,,,,,,,,,,,,,
13,2,,114250-53130,,,"SEAT, NOZZLE SPRING",4,4,,,,,,,,,,,,,
14,2,,114250-53140,,,"PLATE, STOP",4,4,,,,,,,,,,,,,
15,2,,114250-53210,,PIN,8,8,,,,,,,,,,,,,
16,2,,114250-53400,,,"SHIM PACK",4,4,,,,,,,,,,,,,
23,1,,119305-59120,,RETAINER,2,2,,,,,,,,,,,,,
26,2,,129150-59131,,,"BOLT M4X14,HEX.SCKT.",2,2,,,,,,,,,,,,,
27,1,,129550-59120,,RETAINER,1,1,,,,,,,,,,,,,
30,2,,129150-59131,,,"BOLT M4X14,HEX.SCKT.",2,2,,,,,,,,,,,,,
31,1,,129902-59810,,,"PIPE NO.1, F.INJECT.",1,1,,,,,,,,,,,,,
31A-1,1,,129902-59811,,,"PIPE NO.1, F.INJECT.",1,,,,,R,,TE-
99785,E/#06476,,,,,,,,,,,,,I
31B-1,1,,129910-59810,,,"PIPE NO.1, F.INJECT.",,1,,,,,R,,,,TE-
99785,E/#07993,,,,,,,,,,,,,
35,1,,129902-59820,,,"PIPE NO.2, F.INJECT.",1,1,,,,,,,,,,,,,
35A-1,1,,129902-59821,,,"PIPE NO.2, F.INJECT.",1,,,,,R,,TE-
99785,E/#06476,,,,,,,,,,,,,I
35B-1,1,,129910-59820,,,"PIPE NO.2, F.INJECT.",,1,,,,,R,,,,TE-
99785,E/#07993,,,,,,,,,,,,,
39,1,,129902-59830,,,"PIPE NO.3, F.INJECT.",1,1,,,,,,,,,,,,,
39A-1,1,,129902-59831,,,"PIPE NO.3, F.INJECT.",1,,,,,R,,TE-
99785,E/#06476,,,,,,,,,,,,,I
39B-1,1,,129910-59830,,,"PIPE NO.3, F.INJECT.",,1,,,,,R,,,,TE-
99785,E/#07993,,,,,,,,,,,,,
43,1,,129902-59840,,,"PIPE NO.4, F.INJECT.",1,1,,,,,,,,,,,,,
43A-1,1,,129902-59841,,,"PIPE NO.4, F.INJECT.",1,,,,,R,,TE-
99785,E/#06476,,,,,,,,,,,,,I
43B-1,1,,129910-59840,,,"PIPE NO.4, F.INJECT.",,1,,,,,R,,,,TE-
99785,E/#07993,,,,,,,,,,,,,





1,1,,129953-55600,, "STRAINER ASSY, FUEL",1,1,,,,,W,,TL-00176,E/#06476,TL-00176,E/#10593,,,,,,I
2,2,,119000-55600,, "FILTER, FUEL",1,1,,,,,,
3,2,,129470-55610,, "BODY, FUEL FILTER",1,1,,,,,,
4,2,,101304-59020,, "JOINT 12, PIPE",2,2,,,,,,
5,2,,103854-59191,, "BOLT W/PLUG & SEAL",1,1,,,,,,
7,3,,124060-59380,, PLUG,1,1,,,,,,
8,3,,22190-060002,, "SEAL WASHER 6S",1,1,,,,,,
9,2,,129495-59300,, "BOLT, PIPE JOINT",1,1,,,,,,
10,2,,129470-59530,, "JOINT,FUEL RETN.PIPE",1,1,,,,,,
11,2,,23414-080000,, "GASKET 8, ROUND",1,1,,,,,,
11-1,2,,22190-080002,, "SEAL WASHER 8S",1,1,,,,,N,,TN-99116,E/#06107,TN-99116,E/#06383,,,,,
12,2,,22190-120002,, "SEAL WASHER 12",4,4,,,,,,
13,2,,22190-140002,, "SEAL WASHER 14S",2,2,,,,,,
14,2,,23857-060000,, "JOINT BOLT 6",1,1,,,,,,
15,2,,26106-080102,, "BOLT M 8X 10 PLATED",1,1,,,,,,
16,1,,26106-100252,, "BOLT M10X 25 PLATED",2,2,,,,,,
17,1,,124766-59050,, "CLAMP 12",4,4,,,,,Z,,TE-98382,E/#04051,TE-98382,E/#04139,,,,,
18,1,,121855-59880,, JOINT,1,1,,,,,Z,,TL-01167,E/#06476,TL-01167,E/#14179,,,,,,I
19,1,,105225-59511,, "PIPE, FUEL OIL",1,1,,,,,Z,,TE-98382,E/#04051,TE-98382,E/#04139,,,,,
20,1,,105025-59560,, "PIPE, FUEL OIL",1,1,,,,,Z,,TE-98382,E/#04051,TE-98382,E/#04139,,,,,
21,1,,121855-59880,, JOINT,1,1,,,,,
22,1,,121855-59880,, JOINT,1,1,,,,,
23,1,,124066-59100,, "CLAMP 8",9,9,,,,,
23-1,1,,124066-59100,, "CLAMP 8",7,7,,,,,K,,TL-01167,E/#06476,TL-01167,E/#14179,,,,,,I
24,1,,121250-59550,, "PIPE, FUEL",3,3,,,,,
25,1,,105225-59120,, "PIPE, FUEL RETURN",1,1,,,,,Z,,TL-01167,E/#06476,TL-01167,E/#14179,,,,,,I
26,1,,129150-59580,, CAP,1,1,,,,,
27,1,,128300-59910,, "VALVE ASSY,OVER-FLOW",1,1,,,,,
33,1,,22190-140002,, "SEAL WASHER 14S",2,2,,,,,
34,1,,129210-59170,, "PIPE ASSY, FUEL OIL",1,1,,,,,W,,TE-98382,E/#04051,TE-98382,E/#04139,,,,,
34-1,1,,129210-59170,, "PIPE ASSY, FUEL OIL",1,1,,,,,Z,,TL-01167,E/#06476,TL-01167,E/#14179,,,,,,I
35,2,,124766-59050,, "CLAMP 12",2,2,,,,,W,,TE-98382,E/#04051,TE-98382,E/#04139,,,,,
35-1,2,,124766-59050,, "CLAMP 12",2,2,,,,,Z,,TL-01167,E/#06476,TL-01167,E/#14179,,,,,,I
37,1,,129210-59110,, "PIPE ASSY, FUEL",1,1,,,,,W,,TE-98382,E/#04051,TE-98382,E/#04139,,,,,
37-1,1,,129210-59110,, "PIPE ASSY, FUEL",1,1,,,,,Z,,TL-01167,E/#06476,TL-01167,E/#14179,,,,,,I
38,2,,124766-59050,, "CLAMP 12",2,2,,,,,W,,TE-98382,E/#04051,TE-98382,E/#04139,,,,,
38-1,2,,124766-59050,, "CLAMP 12",2,2,,,,,Z,,TL-01167,E/#06476,TL-01167,E/#14179,,,,,,I
40,1,,129957-59040,, "PIPE, FUEL",1,1,,,,,W,,TL-01167,E/#06476,TL-01167,E/#14179,,,,,,I
42,2,,119560-59110,, "PROTECTOR, FUEL PIPE",1,1,,,,,W,,TL-01167,E/#06476,TL-01167,E/#14179,,,,,,I
43,1,,124766-59050,, "CLAMP 12",2,2,,,,,W,,TL-01167,E/#06476,TL-01167,E/#14179,,,,,,I
44,1,,121750-59890,, "CLAMP 140",1,1,,,,,W,,TL-01167,E/#06476,TL-01167,E/#14179,,,,,,I
45,1,,129950-59311,, "PIPE, FUEL",1,1,,,,,W,,TL-01167,E/#06476,TL-01167,E/#14179,,,,,,I

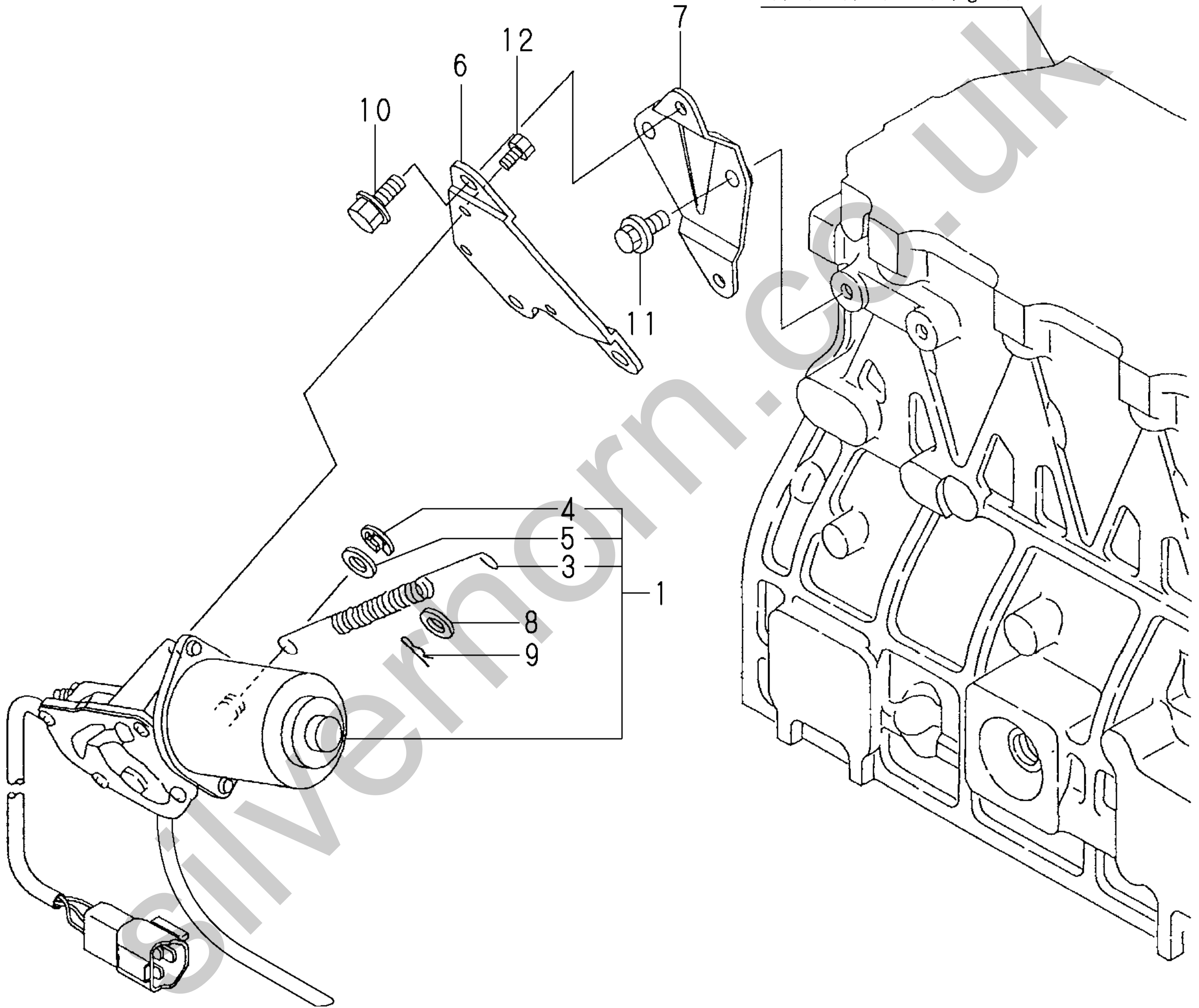
46,2,,124766-59050,, "CLAMP 12",2,2,,,,,W,,TL-01167,E/#06476,TL-
01167,E/#14179,,,,,,I
47,2,,129961-59110,,TUBE,1,1,,,,,W,,TL-01167,E/#06476,TL-
01167,E/#14179,,,,,,I
49,1,,129915-59500,, "PIPE ASSY,F.O.RETURN",1,1,,,,,W,,TL-01167,E/#06476,TL-
01167,E/#14179,,,,,,I
50,2,,124066-59100,, "CLAMP 8",2,2,,,,,W,,TL-01167,E/#06476,TL-
01167,E/#14179,,,,,,I

Silverhorn.CO.UK

1,1,,129900-66790,, "MOTOR ASSY, STOP",1,1,,,,,,,,,,,,,,,,,
3,2,,129900-66830,, "SPRING, STOP MOTOR",1,1,,,,,,,,,,,,,,,,,
4,2,,129566-66880,, "RING, SNAP",1,1,,,,,,,,,,,,,,,,,
5,2,,129566-66890,, "WASHER",1,1,,,,,,,,,,,,,,,,,
6,1,,119840-66811,, "BRACKET(B),STP.MOTOR",1,1,,,,,,,,,,,,,,,,,
7,1,,129900-66820,, "BRACKET(B),STP.MOTOR",1,1,,,,,,,,,,,,,,,,,
8,1,,22117-080000,, "WASHER 8",1,1,,,,,,,,,,,,,,,,,
9,1,,22360-080000,, "SNAP PIN 8",1,1,,,,,,,,,,,,,,,,,
10,1,,26106-080122,, "BOLT M 8X 12 PLATED",2,2,,,,,,,,,,,,,,,,,
11,1,,26106-080122,, "BOLT M 8X 12 PLATED",2,2,,,,,,,,,,,,,,,,,
12,1,,26116-050102,, "BOLT M 5X 10 PLATED",3,3,,,,,,,,,,,,,,,,,

Silverhorn.CO.UK

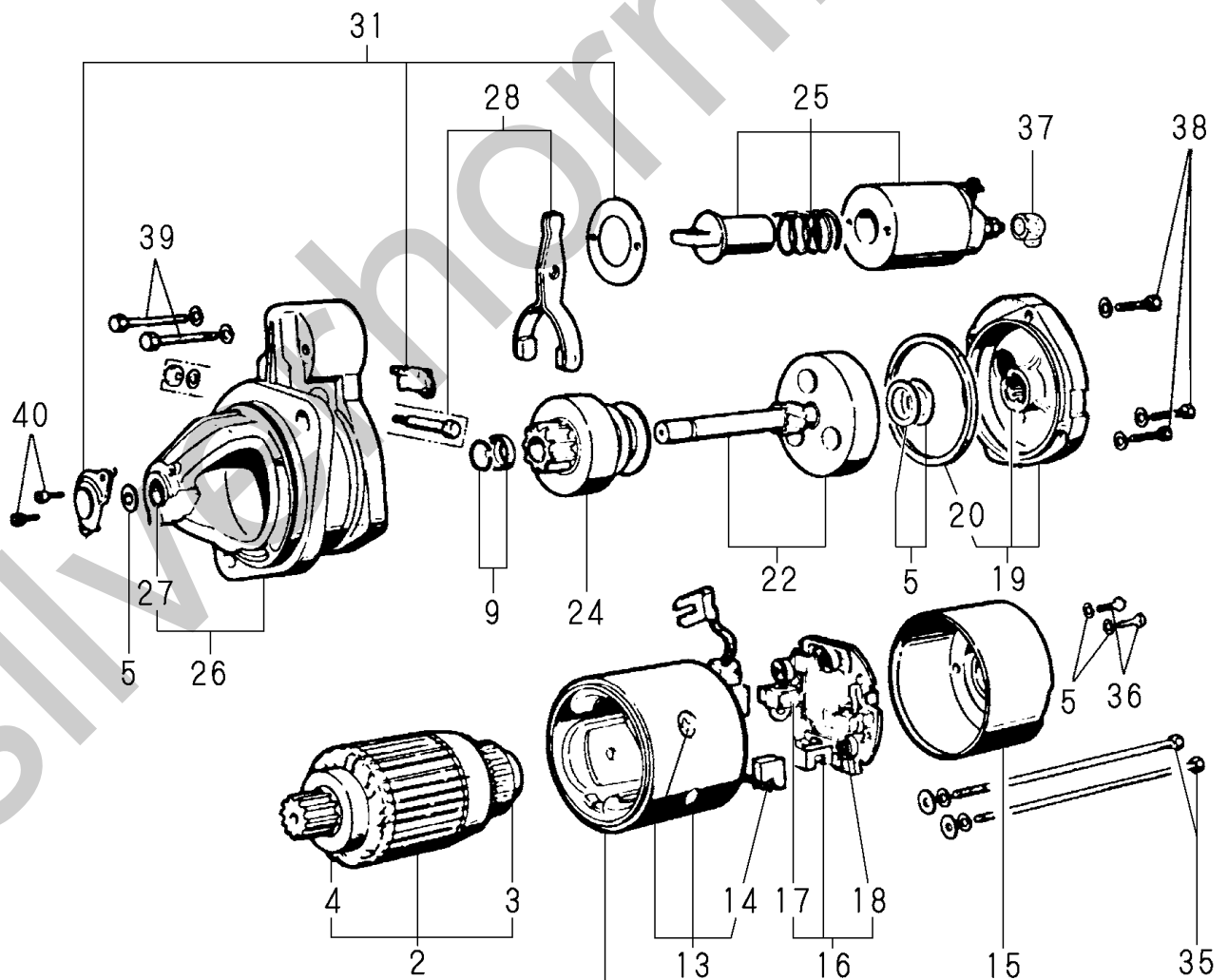
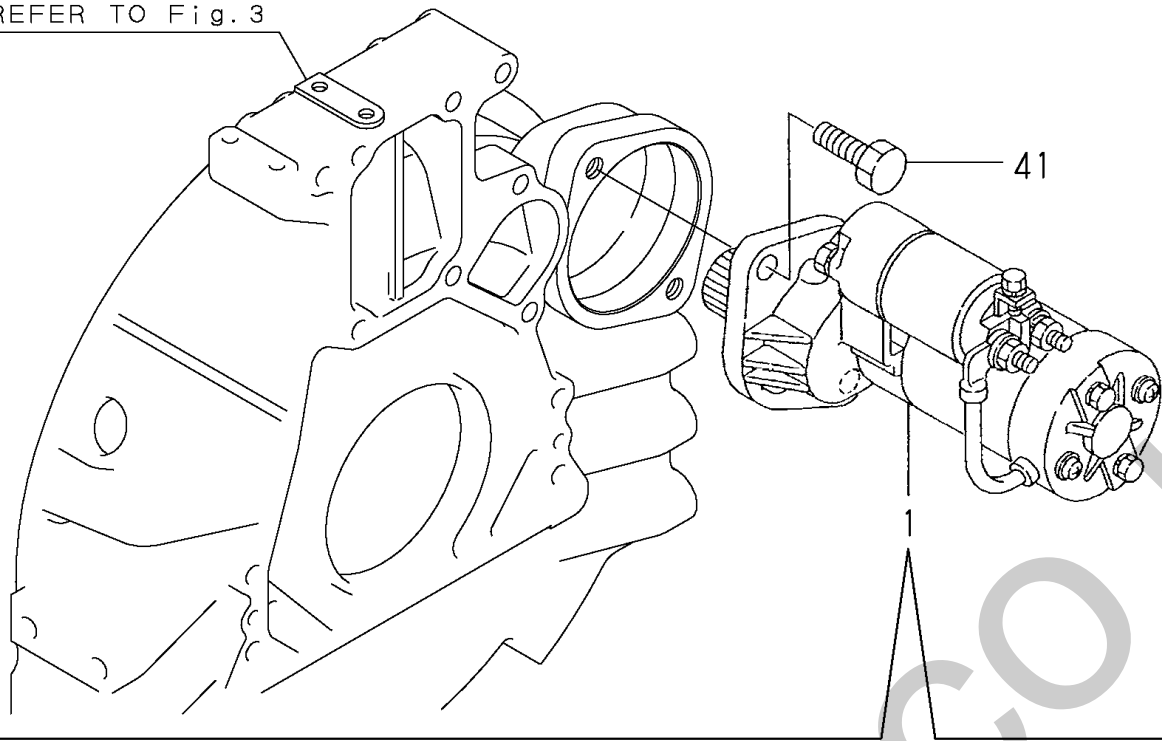
REFER TO Fig. 1



1,1,,129953-77010,, "STARTING MOTOR",1,1,,,,,,,,,,,,,
1-1,1,,129953-77019,, "STARTING MOTOR",1,1,,,,,N,,TL-00087,E/#06476,TL-
00087,E/#09850,,,,,,,,,I
2,2,,121254-77402,, "ARMATURE ASSY",1,1,,,,,,,,,,,,,
3,3,,121254-77410,, "BALL BEARING",1,1,,,,,,,,,,,,,
4,3,,121254-77420,, "BALL BEARING",1,1,,,,,,,,,,,,,
5,2,,121254-77430,, "WASHER KIT, THRUST",1,1,,,,,,,,,,,,,
9,2,,121254-77480,, "STOPPER KIT, PINION",1,1,,,,,,,,,,,,,
13,2,,121254-77521,, "COIL ASSY, FIELD",1,1,,,,,,,,,,,,,
14,3,,121254-77541,, "BRUSH (+)",2,2,,,,,,,,,,,,,
15,2,,121254-77550,, "COVER ASSY, REAR",1,1,,,,,,,,,,,,,
16,2,,121254-77571,, "HOLDER",1,1,,,,,,,,,,,,,
17,3,,121254-77581,, "BRUSH",2,2,,,,,,,,,,,,,
18,3,,121254-77590,, "SPRING, BRUSH",4,4,,,,,,,,,,,,,
19,2,,121254-77600,, "BEARING ASSY, CENTER",1,1,,,,,,,,,,,,,
20,3,,121254-77210,, "SEAL, OIL",1,1,,,,,,,,,,,,,
20-1,3,,121254-77610,, "SEAL, OIL",1,1,,,,,N,,*,EXXX,* ,EXXX,,,,,,,,,I
22,2,,121254-77640,, "SHAFT ASSY, GEAR",1,1,,,,,,,,,,,,,
24,2,,129953-77660,, "PINION ASSY",1,1,,,,,,,,,,,,,
25,2,,X2130570040,, "SWITCH",1,1,,,,,,,,,,,,,
25-1,2,,129953-77670,, "SWITCH",1,1,,,,,N,,TL-00087,E/#06476,TL-
00087,E/#09850,,,,,,,,,I
26,2,,121254-77681,, "CASE ASSY, GEAR",1,1,,,,,,,,,,,,,
27,3,,121254-77690,, "METAL, GEAR CASE",1,1,,,,,,,,,,,,,
28,2,,121254-77700,, "LEVER SET, SHIFT",1,1,,,,,,,,,,,,,
31,2,,121254-77730,, "DUST COVER SET",1,1,,,,,,,,,,,,,
35,2,,121254-77770,, "BOLT, THROUGH",2,2,,,,,,,,,,,,,
36,2,,121254-77790,, "SCREW 4",2,2,,,,,,,,,,,,,
37,2,,121254-77810,, "TERMINAL COVER",1,1,,,,,,,,,,,,,
38,2,,26106-060302,, "BOLT M 6X 30 PLATED",3,3,,,,,,,,,,,,,
39,2,,26106-060452,, "BOLT M 6X 45 PLATED",2,2,,,,,,,,,,,,,
40,2,,121254-77780,, "SCREW 5",2,2,,,,,,,,,,,,,
41,1,,26116-120302,, "BOLT M12X 30 PLATED",2,2,,,,,,,,,,,,,

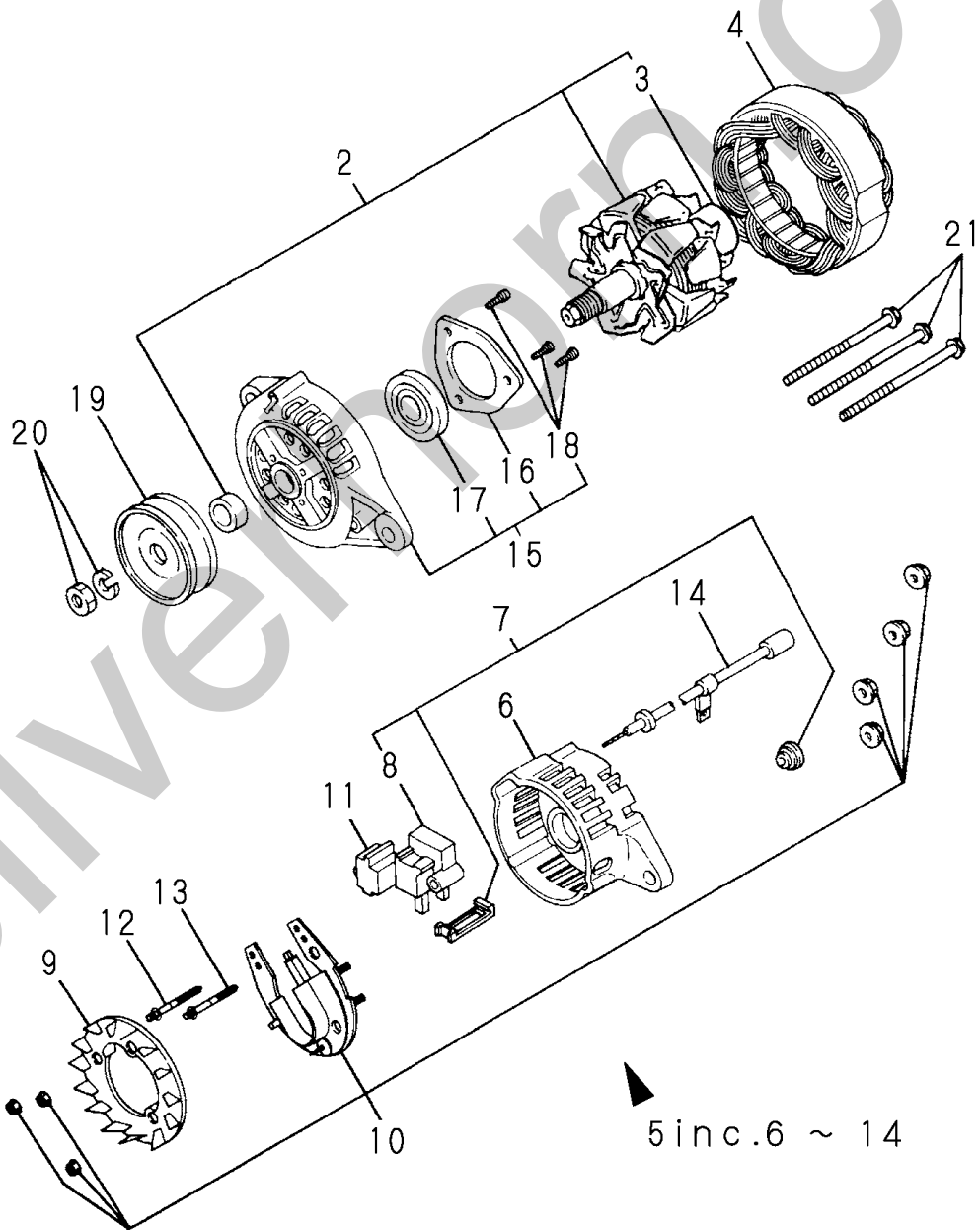
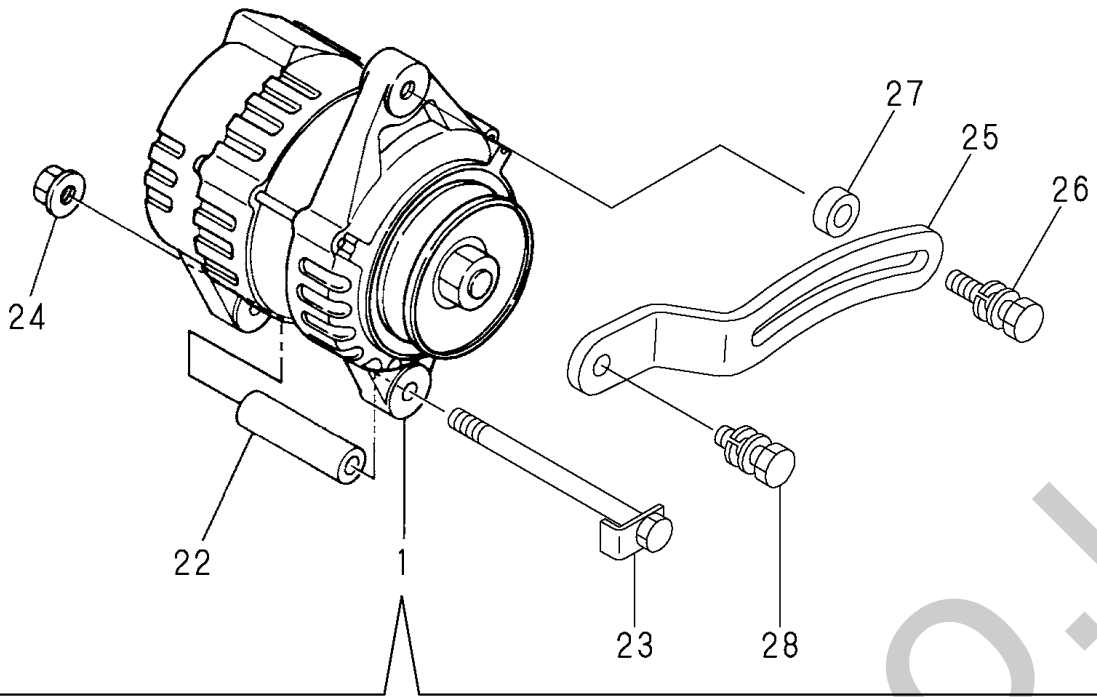


REFER TO Fig. 3



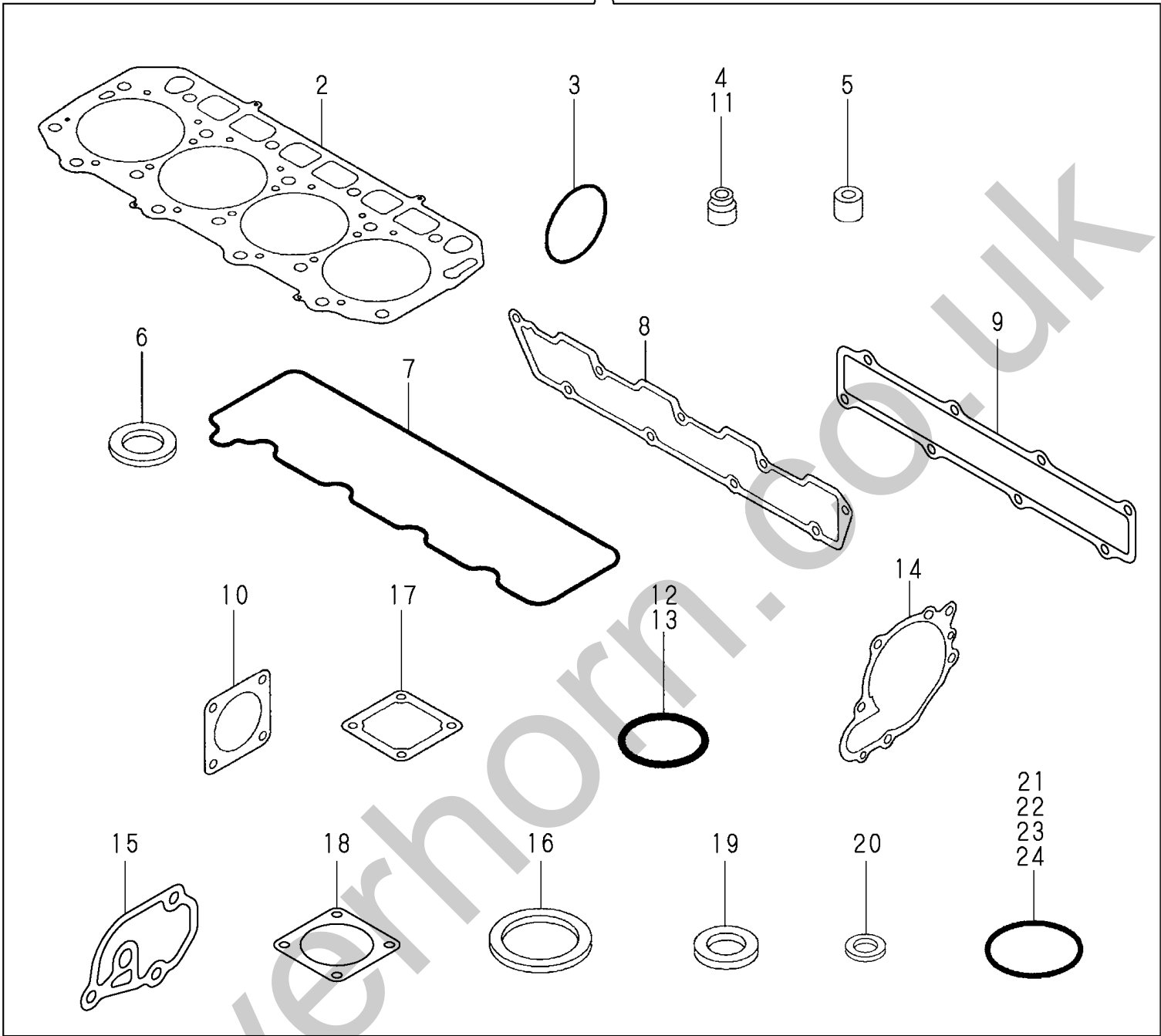
1,1,,119836-77200,,GENERATOR,1,1,,,,,,,,,,,,,,,,,,,,,
2,2,,119836-77700,,,"ROTOR ASSY",1,1,,,,,,,,,,,,,,,,,,,,,
3,3,,119836-77850,,,"BALL BEARING",1,1,,,,,,,,,,,,,,,,,,,,,
4,2,,119836-77710,,,"STATOR ASSY",1,1,,,,,,,,,,,,,,,,,,,,,
5,2,,119836-77721,,,"COVER ASSY, REAR",1,1,,,,,,,,,,,,,,,,,,,,,
6,3,,119836-77730,,,"COVER, REAR",1,1,,,,,,,,,,,,,,,,,,,,,
7,3,,119836-77741,,,"BRUSH ASSY,REGULATOR",1,1,,,,,,,,,,,,,,,,,,,,,
8,4,,119836-77750,,,"BRUSH ASSY",1,1,,,,,,,,,,,,,,,,,,,,,
9,3,,119836-77760,,,"GUIDE, FAN SIDE",1,1,,,,,,,,,,,,,,,,,,,,,
10,3,,119836-77770,,,"DIODE ASSY",1,1,,,,,,,,,,,,,,,,,,,,,
11,3,,119836-77780,,,"CONDENSER",1,1,,,,,,,,,,,,,,,,,,,,,
12,3,,119836-77871,,,"BOLT (1)",1,1,,,,,,,,,,,,,,,,,,,,,
13,3,,119836-77880,,,"BOLT (2)",1,1,,,,,,,,,,,,,,,,,,,,,
14,3,,119836-77890,,,"WIRE ASSY, LEAD",1,1,,,,,,,,,,,,,,,,,,,,,
15,2,,119836-77790,,,"COVER ASSY, FRONT",1,1,,,,,,,,,,,,,,,,,,,,,
16,3,,119836-77800,,,"RETAINER, BEARING",1,1,,,,,,,,,,,,,,,,,,,,,
17,3,,119836-77840,,,"BALL BEARING",1,1,,,,,,,,,,,,,,,,,,,,,
18,3,,119836-77860,,,"SCREW KID",1,1,,,,,,,,,,,,,,,,,,,,,
19,2,,119836-77810,,,"PULLEY",1,1,,,,,,,,,,,,,,,,,,,,,
20,2,,119836-77820,,,"NUT ASSY, PULLEY",1,1,,,,,,,,,,,,,,,,,,,,,
21,2,,119836-77830,,,"BOLT, THROUGH",3,3,,,,,,,,,,,,,,,,,,,,,
22,1,,129150-77340,,,"SPACER",1,1,,,,,,,,,,,,,,,,,,,,,
23,1,,129953-77200,,,"BOLT M 8X105",1,,,,,,,,,,,,,,,,,,,,,
23-1,1,,129953-77201,,,"BOLT",1,1,,,,,N,,TE-97539,E/#02783,,,,,
24,1,,26366-080002,,,"NUT M 8",1,1,,,,,,,,,,,,,,,,,,,,,
24-1,1,,129612-77260,,,"NUT ,GENERATOR",1,1,,,,,N,,TE-98895,E/#05351,TE-
98895,E/#04817,,,,,
25,1,,129953-77330,,,"ADJUSTER, V-BELT",1,1,,,,,,,,,,,,,,,,,,,,,
26,1,,26014-080352,,,"BOLT M 8X 35",1,,,,,,,,,,,,,,,,,,,,,
26-1,1,,119810-77340,,,"BOLT",1,1,,,,,N,,TE-97613,E/#02783,,,,,
27,1,,106500-44810,,,"SPACER",1,1,,,,,,,,,,,,,,,,,,,,,
28,1,,26014-080252,,,"BOLT M 8X 25",1,1,,,,,,,,,,,,,,,,,,,,,



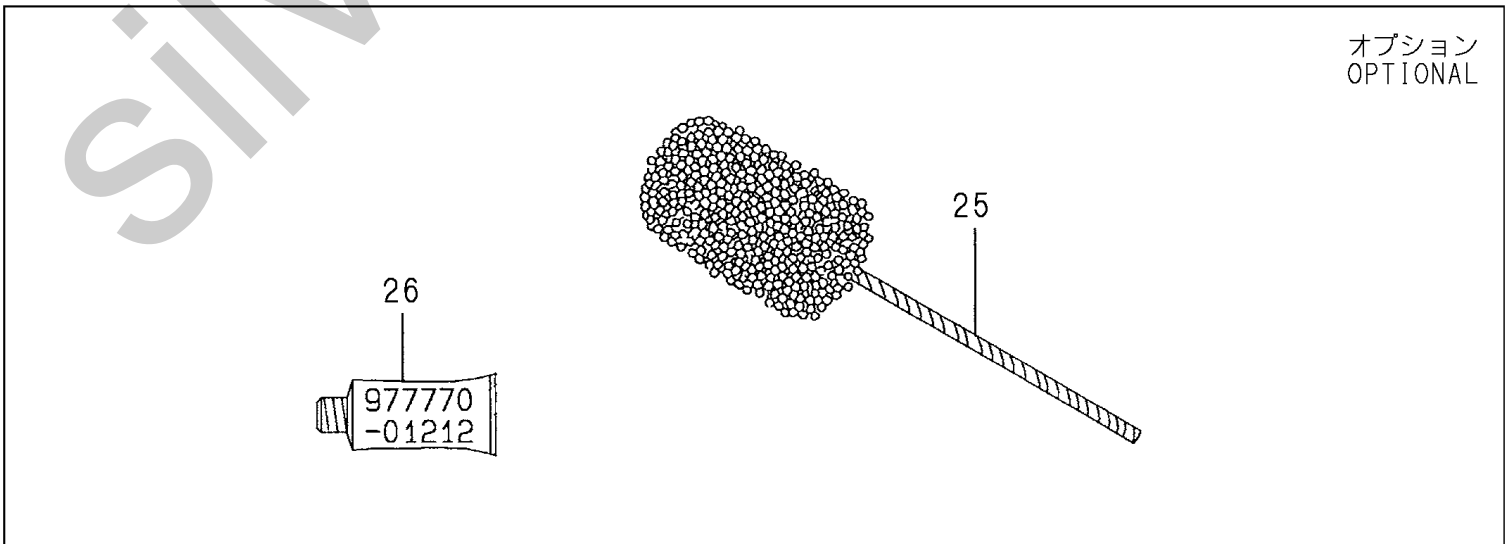


1,1,,729953-92600,, "GASKET SET(NON-ASB.)",1,1,,,,,1,,,,,
2,2,,129902-01330,, "GASKET,CYL.HEAD",1,1,,,,,
2-1,2,,129902-01331,, "GASKET, HEAD",1,1,,,,,N,,TE-99509,E/#06107,TE-
99509,E/#06383,,,,,
3,2,,24321-000850,, "O-RING 1A G-85.0",1,1,,,,,
4,2,,124460-11340,, "SEAL, VALVE STEM",4,4,,,,,
5,2,,119625-11870,, "PROTECTOR, NOZZLE",4,4,,,,,
6,2,,119625-11880,, "SEAT, NOZZLE",4,4,,,,,
7,2,,129900-11310,, "GASKET, BONNET",1,1,,,,,
8,2,,129900-12050,, "GASKET, SUC.MANIFOLD",1,1,,,,,
9,2,,129900-13251,, "GASKET",1,1,,,,,
10,2,,129400-13201,, "GASKET, (NON-ASB.)",1,1,,,,,
11,2,,121400-11340,, "SEAL, VALVE STEM",4,4,,,,,
12,2,,129900-32030,, "O-RING P20",2,2,,,,,
13,2,,129900-32040,, "O-RING P14",1,1,,,,,
14,2,,129900-42020,, "GASKET, CW-P",1,1,,,,,
15,2,,129900-49870,, "GASKET, CASE",1,1,,,,,
16,2,,121850-49550,, "GASKET, THERMOSTAT",1,1,,,,,
17,2,,121850-77021,, "GASKET, (NON-ASB.)",1,1,,,,,
18,2,,121850-49540,, "GASKET, THERMOSTAT",1,1,,,,,
19,2,,124465-44950,, "GASKET 16",1,1,,,,,
20,2,,129150-49360,, "GASKET 10",1,1,,,,,
21,2,,24311-000070,, "O-RING 1A P-7.0",1,1,,,,,
22,2,,24311-000120,, "O-RING 1A P 12.0",3,3,,,,,
23,2,,24341-000240,, "O-RING 1A S-24.0",1,1,,,,,
24,2,,24311-000320,, "O-RING 1A P-32.0",2,2,,,,,
25,1,,129400-92420,, "FLEX HORN",1,1,,,,,1,,,,,
26,1,,977770-01212,, "GASKET, LIQUID",1,1,,,,,1,,,,,





オプション
OPTIONAL



0,Y00B5473
1,001,, "ENGINE 4TNE98-(E)BV"
2,1,, "CYLINDER BLOCK",4TNE98-BV,4TNE98-EBV,,
2,2,, "GEAR HOUSING",4TNE98-BV,4TNE98-EBV,,
2,3,, "FLYWHEEL HOUSING & L.O.SUMP",4TNE98-BV,4TNE98-EBV,,
2,4,, "CYLINDER HEAD & BONNET",4TNE98-BV,4TNE98-EBV,,
2,5,, "SUCTION MANIFOLD",4TNE98-BV,4TNE98-EBV,,
2,6,, "EXHAUST MANIFOLD & SILENCER",4TNE98-BV,4TNE98-EBV,,
2,7,, "CAMSHAFT & DRIVING GEAR",4TNE98-BV,4TNE98-EBV,,
2,8,, "CRANKSHAFT & PISTON",4TNE98-BV,4TNE98-EBV,,
2,9,, "LUB.OIL SYSTEM",4TNE98-BV,4TNE98-EBV,,
2,10,, "COOLING WATER SYSTEM",4TNE98-BV,4TNE98-EBV,,
2,11,, "FUEL INJECTION PUMP",4TNE98-BV,4TNE98-EBV,,
2,12,, GOVERNOR,4TNE98-BV,4TNE98-EBV,,
2,13,, "FUEL INJECTION VALVE",4TNE98-BV,4TNE98-EBV,,
2,14,, "FUEL PIPE",4TNE98-BV,4TNE98-EBV,,
2,15,, "ENGINE STOP DEVICE",4TNE98-BV,4TNE98-EBV,,
2,16,, "STARTING MOTOR",4TNE98-BV,4TNE98-EBV,,
2,17,, GENERATOR,4TNE98-BV,4TNE98-EBV,,
2,18,, "GASKET SET & TOOLS",4TNE98-BV,4TNE98-EBV,,

Silverhorn.CO.UK